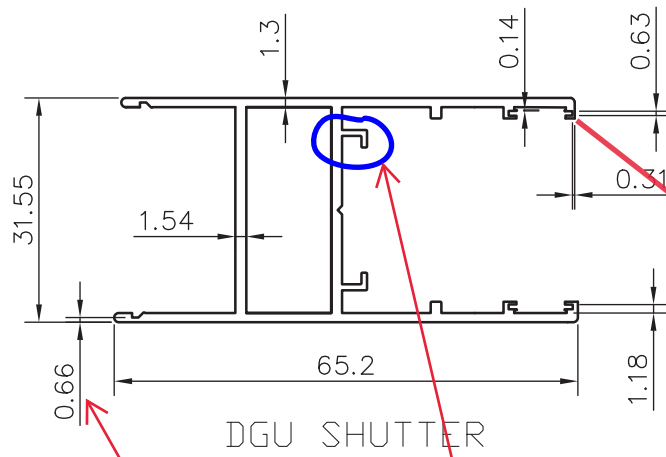


32MM SERIES

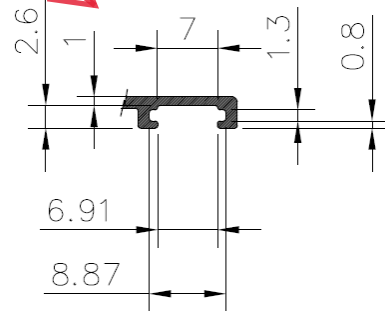


DGU SHUTTER

Thickness will be 0.8 mm.

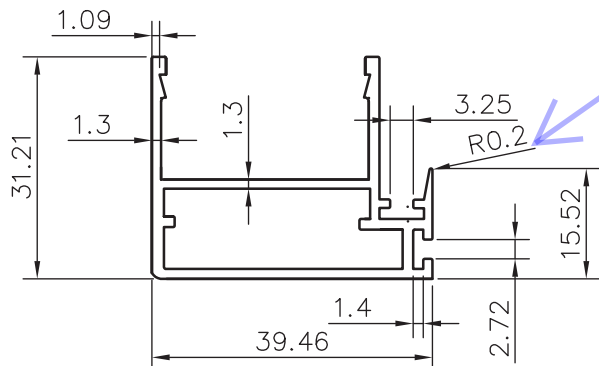
Thickness will be 1.2 mm.

Q01690



Beading Details

32MM SERIES



SMALL INTERLOCK

Minimum Radius 0.4 mm.

Q01691