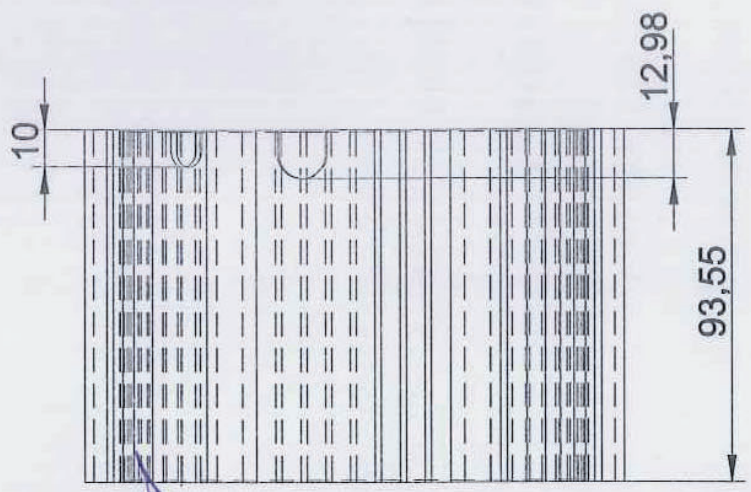


REVISION HISTORY

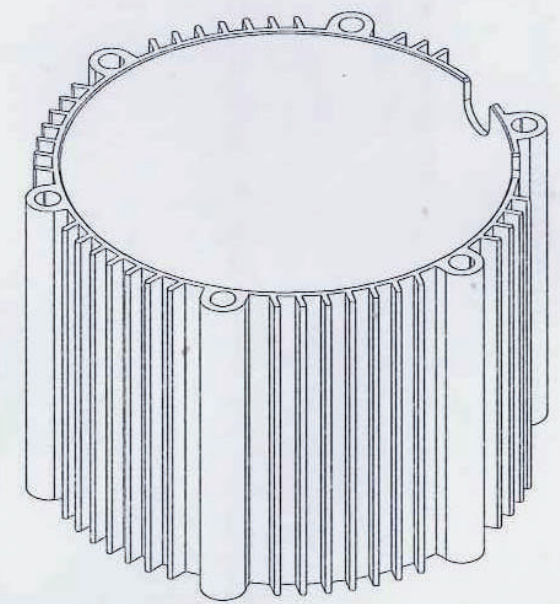
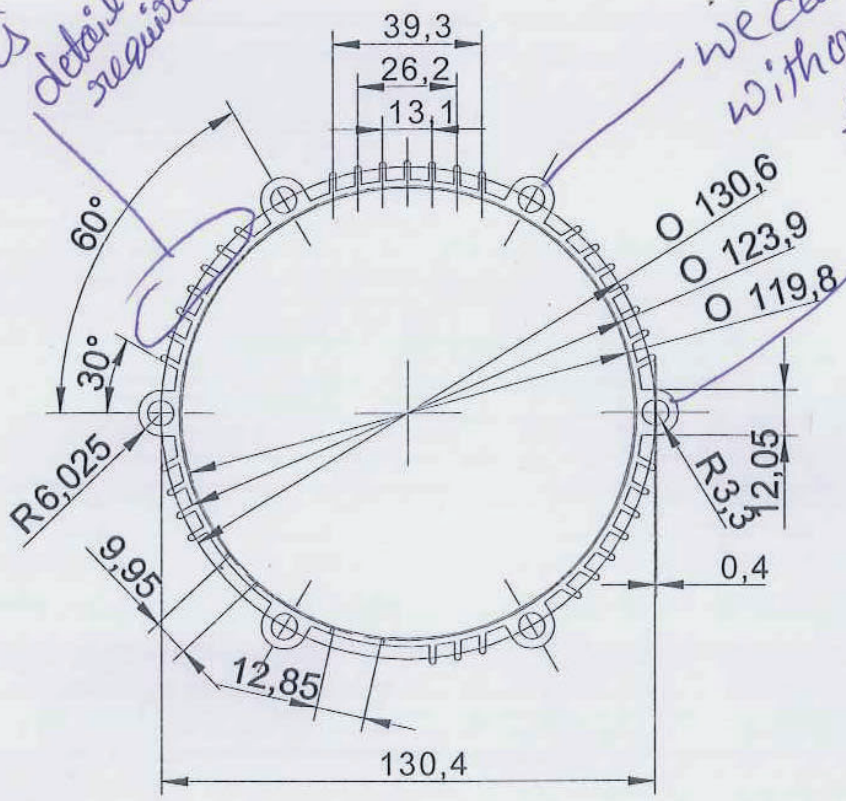
| REV | DESCRIPTION | DATE | APPROVED |
|-----|-------------|------|----------|
|     |             |      |          |



*fin's detail required*

*we can give without these six holes*

*Alloy 6063*



|   |  |         |  |                        |        |     |
|---|--|---------|--|------------------------|--------|-----|
| NAME  |  | DATE    |  | <b>Solid Edge</b>      |        |     |
| DRAWN AMAN GUPTA  |  | 06/22   |  |                        |        |     |
| CHECKED   |  |         |  | TITLE                  |        |     |
| ENG   |  |         |  | <b>HOUSING</b>         |        |     |
| MGR   |  |         |  |                        |        |     |
| APPR  |  |         |  | SIZE                   | DWG NO | REV |
| UNLESS OTHERWISE SPECIFIED DIMENSIONS ARE IN MILLIMETERS ANGLES ±X.X° |  |         |  | A4                     |        |     |
|   |  |         |  | FILE NAME: HOUSING.dft |        |     |
| SCALE:  |  | WEIGHT: |  | SHEET 1 OF 1           |        |     |