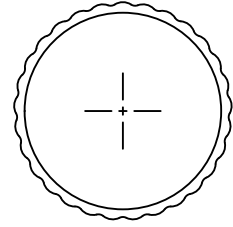
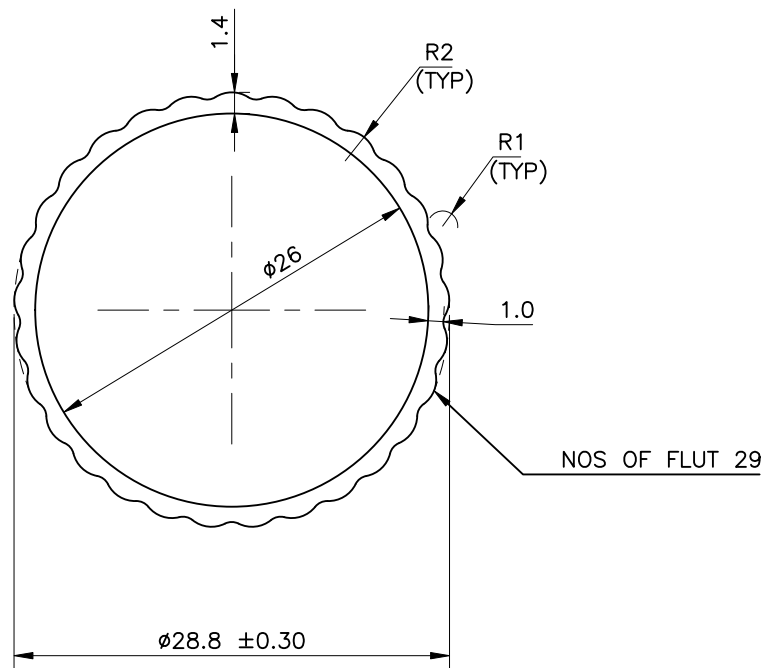


Q00099



SCALE 1:1

SAMPLE - 1



TWIST=  $\pm 1/4^\circ/300M.M./M.$   
FLATNESS=WIDTHX0.005mm.  
STRAIGHTNESS= 1.5 M.M./MTR.  
ANGULARITY=  $\pm 1.5^\circ$



SYMBOL OF QUALITY  
AN ISO 9001 COMPANY

**JINDAL ALUMINIUM LTD.**  
BANGALORE-560073 (INDIA)

	NAME	DATE
DRAWN	ASHUTOSH	08-06-2022
CHECKED		
APPROVED		

1. ALL DIMENSIONS ARE IN mm.
2. ROUND OFF ALL SHARP CORNERS WITH 0.40 mm.
3. TOLERANCES WILL BE AS PER BS:EN-755-9 , UNLESS OTHERWISE SPECIFIED

SCALE	1:1&2:1
AREA mm <sup>2</sup>	105.57
PERIMETER mm.	93.18
WEIGHT kg/m	0.285
DRAWING No.	SECTION No.
-	-

PARTY'S NAME	M/S. UNGER INDIA
PARTY'S DRAWING No.	AS PER DRAWING
ALLOY & TEMPER	6063-T6
DESCRIPTION	--