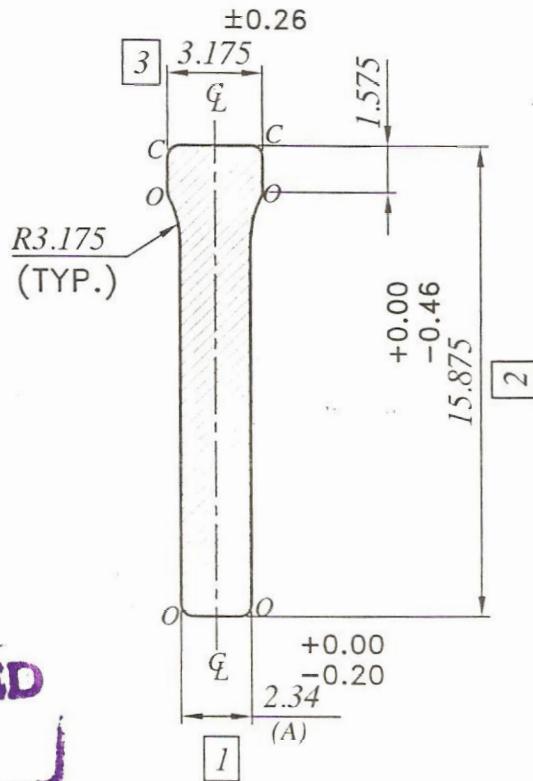


Q00108

EXPOSED SURFACE



ACTUAL SIZE



**CONTROLLED**  
22/11/07

NOTE:-

$O = R0.4$

$C = 0.38R$

HARDNESS-10 WEB (MAX.)

LOCATION:-P1 - 8HOLE  
ALL DIMENSION ARE IN M.M.  
UNSPECIFIED CORNER RADIUS:0.40

TOL. AS PER B.S.1474:1987  
UNLESS SPECIFIED

TWIST = 1/4°/300 M.M./M.  
STRAIGHTNESS = 1.5 M.M./MTR.  
ANGULARITY = ±1°

**INDO ALUSYS INDUSTRIES LIMITED BHIWADI RAJASTHAN - 301019**

PARTY SAMPLE & DRG. DRG. No.:00-2972 | PARTY NAME M/s. CARYAIRE AIR | REF:-AS PER DRG. Dt-15.10.2007

|             |          |   |           |               |                    |          |           |         |                 |
|-------------|----------|---|-----------|---------------|--------------------|----------|-----------|---------|-----------------|
|             |          |   |           | DRAWN         | DHARMIR            | 22.10.07 | AREA      | 39.00   | MM <sup>2</sup> |
|             |          |   |           | CHECKED       | <i>[Signature]</i> | 22.11.07 | WEIGHT    | 0.105   | KG/M.           |
|             | (A)      | +0.00<br>-0.20 ±0.20<br>DIM.2.34WSA2.34 |           | APPROVED      | <i>[Signature]</i> | 22.11.07 | WT. RANGE | -----   | Kg/12'          |
|             |          |   |           | SCALE         | 1:1&4:1            | DATE     | ALLOY     | 6063-T5 |                 |
| 001         | (REF.)   | AS PER MKT-22/C-112007D15.11.07         |           | CRITICAL DIM. | *                  |          | MAL NO    | 10272   |                 |
| REV. STATUS | REV. NO. | DESCRIPTION                             | SIGN DATE | PERIMETER     | INT.               | -----    | SEC.NO.   | D-4351  |                 |
|             |          | REVISION                                |           |               | EXT.               | 36.72    |           |         |                 |