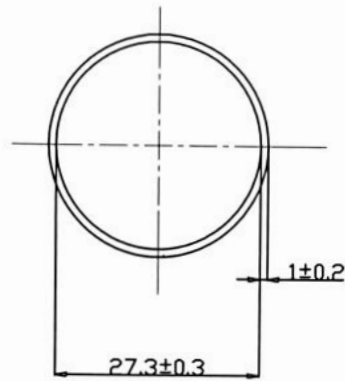


Q00111



NOTES

1. Thickness Variation 0.15 MM Max.
 2. Straightness Tolerance 1.5 mm/mtr.
 3. Surface Finish Important.
- All Dimensions Are in mm. Unless Otherwise Specified.

0			
Rev No.	Details	Date	Appd

		Unless otherwise specified, all tolerances shall be as IS : 2673-1979		Date	18-06-22
Drawing No.	:	Alloy & Temper	E91E-W	Drn	
Part No.	:			Chkd	
Estimated Area.	: 88.90 sq.mm.	Scale	1:1	Appd	
Estimated Weight.	: 0.240 Kg/m			SECTION NO. 1006637	
Estimated Perimeter.	:				