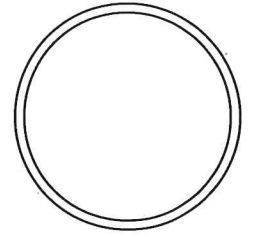
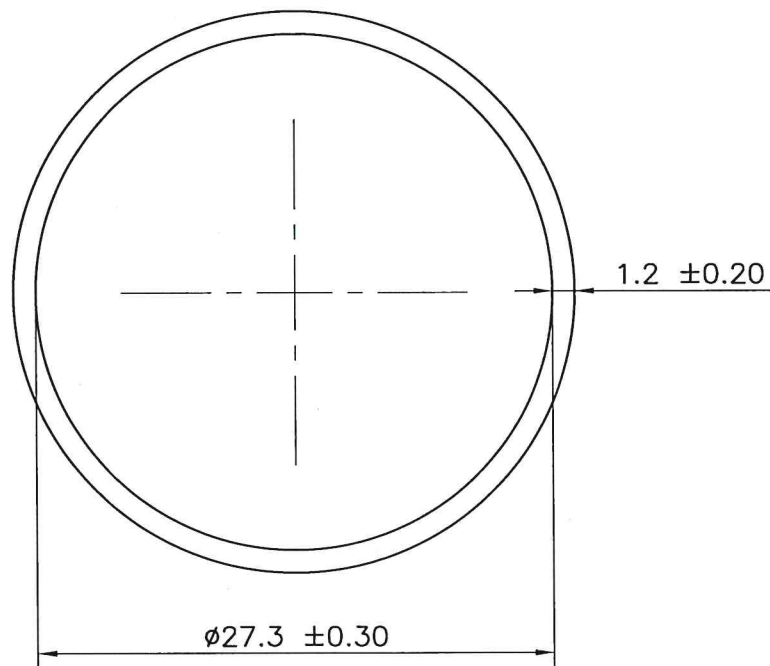


Q00111




SCALE 1:1

PROPOSED DRAWING



NOTES

1. Thickness Variation 0.15 mm Max.
  2. Straightness Tolerance 1.5 mm/mtr.
  3. Surface Finish Important.
- All Dimensions are in mm. Unless Otherwise Specified.

 SYMBOL OF QUALITY AN ISO 9001 COMPANY	<b>JINDAL ALUMINIUM LTD.</b> BANGALORE-560073 (INDIA)	NAME		DATE
		DRAWN	ASHUTOSH	09-08-2022
1. ALL DIMENSIONS ARE IN mm. 2. ROUND OFF ALL SHARP CORNERS WITH 0.40 mm. 3. TOLERANCES WILL BE AS PER IS : 2673-1979 , UNLESS OTHERWISE SPECIFIED		CHECKED	<i>Jindal</i>	9-8-22
		APPROVED	<i>Jr</i>	09.08.22
PARTY'S NAME M/S. JAYANITA EXPORTS PVT. LTD.		SCALE		1:1&2.5:1
		AREA mm <sup>2</sup>		107.44
PARTY'S DRAWING No. AS PER DRAWING (1006637)		PERIMETER mm.		93.305
		WEIGHT kg/m		0.290
ALLOY & TEMPER E91E-W		DRAWING No.		SECTION No.
		-		
DESCRIPTION ROUND TUBE				