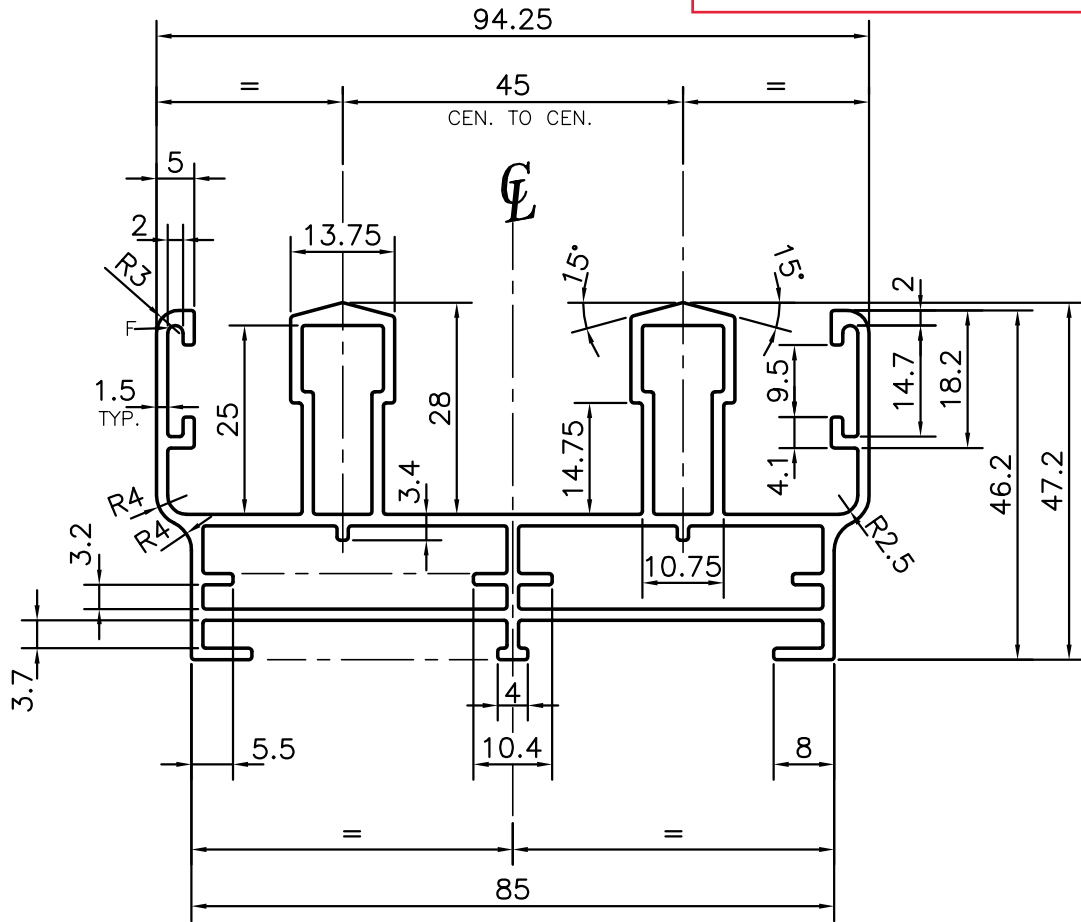


P-11606

21385

NEW Q00121

Q34878 REQUIRED IN 2 MM THICKNESS



SYMBOL OF QUALITY
AN ISO 9001 COMPANY

JINDAL ALUMINIUM LTD.
BANGALORE-560073 (INDIA)

	NAME	DATE
DRAWN	PARVESH	20-03-2012
CHECKED		
APPROVED	S.S.GARG	08-05-2012

1. ALL DIMENSIONS ARE IN mm.
2. ROUND OFF ALL SHARP CORNERS WITH 0.40 mm.
3. TOLERANCES WILL BE AS PER IS:6477-1983, UNLESS OTHERWISE SPECIFIED

SCALE	1:1
AREA mm ²	730.296
PERIMETER mm.	532.516
WEIGHT kg/m	1.972

PARTY'S NAME GENERAL CATEGORY MUMBAI MARKET

DRAWING No. SECTION No.

PARTY'S DRAWING No. AS PER SAMPLE (DRAWING)

P-11606 -
21385 21385

ALLOY & TEMPER HE9 WP

DESCRIPTION WINDOW SECTION