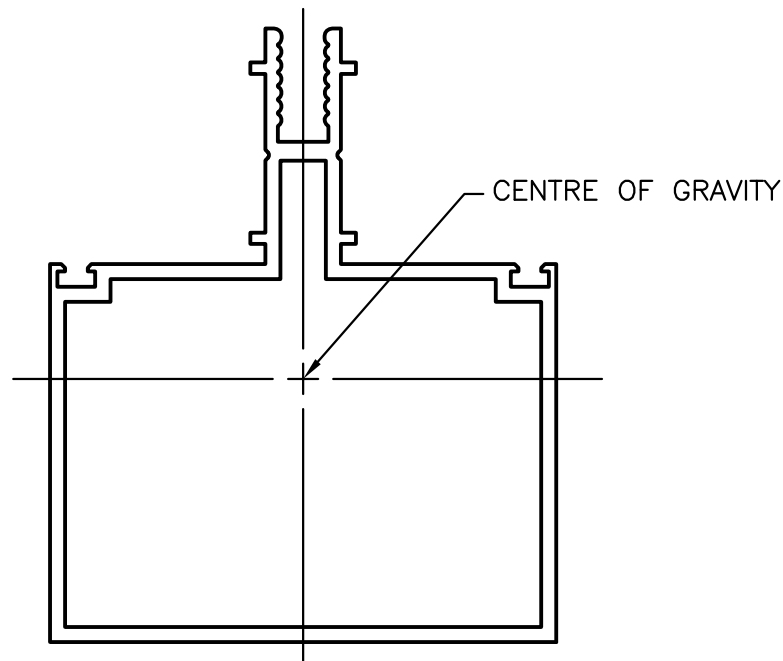


Q34887

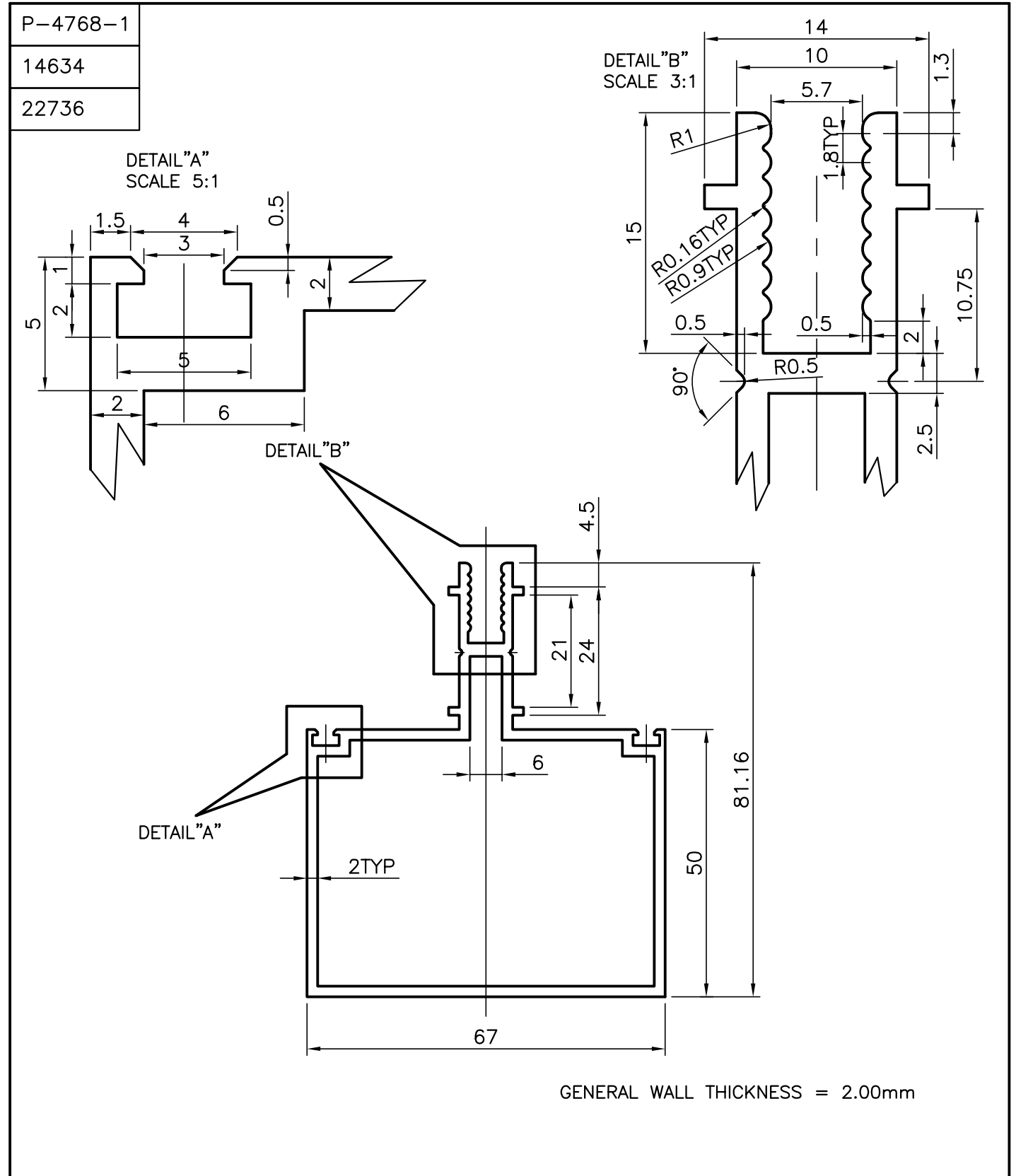
NEW Q00123


**REQUIRED IN 3
MM THICKNESS**



REGIONS

Area: 598.1493
 Perimeter: 615.9395
 Bounding box: X: -33.5000 -- 33.5000
 Y: -34.8140 -- 46.3460
 Centroid: X: 0.0000
 Y: 0.0000
 Moments of inertia: X: 378578.5213
 Y: 302554.4171
 Product of inertia: XY: 0.0000
 Radii of gyration: X: 25.1578
 Y: 22.4904
 Principal moments and X-Y directions about centroid:
 I: 302554.4171 along [0.0000 -1.0000]
 J: 378578.5213 along [1.0000 0.0000]



 SYMBOL OF QUALITY AN ISO 9002 COMPANY	JINDAL ALUMINIUM LTD. BANGALORE-560073 (INDIA)	NAME	DATE
		DRAWN RAGHAVENDRA	09-03-2004
		CHECKED	
		APPROVED	
1. ALL DIMENSIONS ARE IN mm. 2. ROUND OFF ALL SHARP CORNERS WITH 0.40 mm. 3. TOLERANCES WILL BE AS PER IS:6477-1983 UNLESS OTHERWISE SPECIFIED		SCALE	1:1
		AREA mm ²	598.149
		PERIMETER mm.	366.62
		WEIGHT kg/m	1.615
PARTY'S NAME	GENERAL CATEGORY,. DELHI MARKET	DRAWING No.	SECTION No.
PARTY'S DRAWING No.	AS PER DRAWING	P-4768-1	-
ALLOY & TEMPER	HE9 WP	14634	14634
DESCRIPTION	CURTAIN WALL SECTION	22736	22736