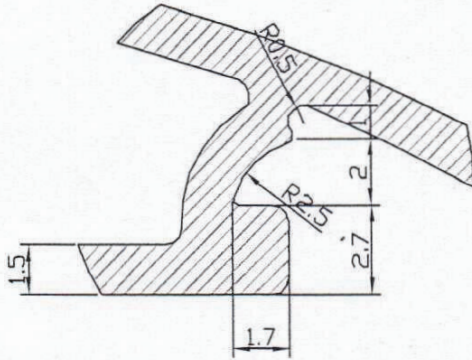
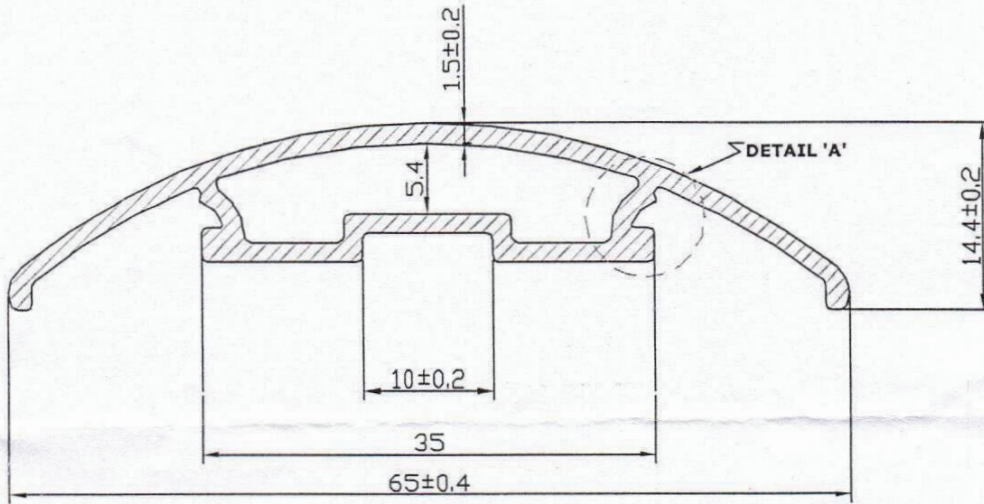
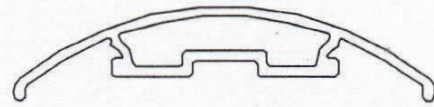


Top Runner

DETAIL 'A'
SCALE 5:1



SCALE 1:1



WITH DIN ISO 2768 - 1 class C = Coarse

Dimension	0.5-3	3-6	6-30	30-120	120-400	400-1000
Longitudinal	±0.2	±0.3	±0.5	±0.8	±1.2	±2.0
Chamfer & Radius	0.5-3 ±0.4	3-6 ±1.0	6-30 ±2.0	30-120 ±0.8	120-400 ±1.5	over 400 ±0.10"
Degrees & Minutes	at 10	10-50	50-120	120-400	over 400	
		±1°	±1°30'	±0°15'	±0°10'	

ALL DIMENSION ARE IN MM.

UNSPECIFIED CORNER RADIUS: 0.40MM.

REV. STATUS	REV. NO.	DESCRIPTION	DATE	SIGN	PERIMETER	NT 75.95 mm	EXT 166.30 mm	AREA	190.12 mm
					CRITICAL DIM.	*		WEIGHT	0.513 kg/M
					SEC. TYPE	HOLLOW		WT. RANGE	kg/1;
					ANGULARITY	±2°		ALLOY	6063
					TWST	±1/4°/300mm/M.		MMM NO.	12140
					STRAIGHTNESS	1.7 mm/M.		SEC NO.	880-0014
					FLATNESS				
					CAVITY	1			
					DIE DIA	180 mm			

CUSTOMER NAME:-

MM METACRAFT PVT.LTD.

CUSTOMER REF.NO.:-

AS PER DWG

PRESS
1



mm metacraft pvt. ltd.

www.mmmetacraft.com