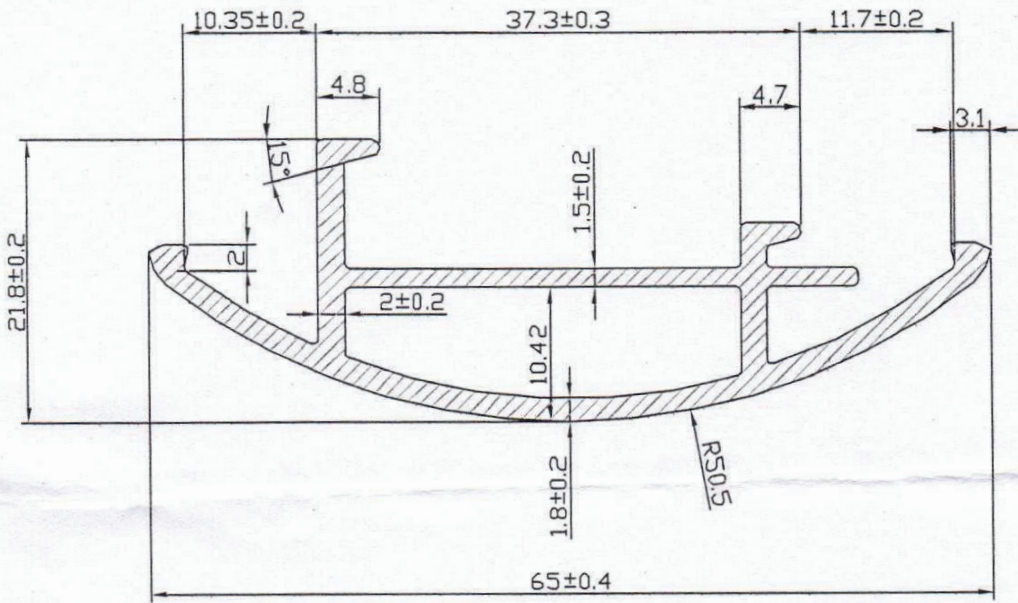
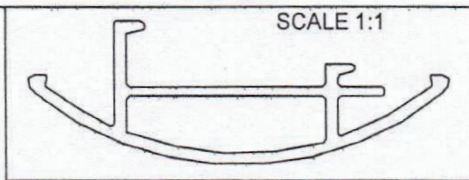


End Strip 75mm



WITH DIN ISO 2768 - 1 class C = Coarse

Dimension Longitudinal	0.5 - 3 ±0.2	3 - 6 ±0.3	6 - 30 ±0.5	30 - 120 ±0.8	120 - 400 ±1.2	400 - 1000 ±2.0
Chamfer & Radius	0.5 - 3 ±0.4	3 - 6 ±1.0	6 - 30 ±2.0	30 - 120 ±2.0	120 - 400 ±0.15°	over 400 ±0°10'
Degress & Minutes	at 10 ±1°30"	10 - 50 ±1°	50 - 120 ±1°30"	120 - 400 ±1°15'	400 ±0°10'	

ALL DIMENSION ARE IN MM.

UNSPECIFIED CORNER RADIUS: 0.40MM.

PERIMETER	INT 73.45 mm	EXT 206.95 mm	AREA	251.25 mm ²
CRITICAL DIM.	*		WEIGHT	0.678 kg/M
SEC. TYPE	HOLLOW		WT. RANGE	kg/12'
ANGULARITY	±2°		ALLOY	6063
TWST	±1/4"/300mm/M.		MMM NO.	12141
STRAIGHTNESS	1.7 mm/M.		SEC NO.	880-0015
FLATNESS				
CAVITY	1			
DIE DIA	180 mm			

CUSTOMER NAME:-

MM METACRAFT PVT.LTD.

CUSTOMER REF.NO.:-

AS PER DWG



mm metacraft pvt. ltd.

www.mmmetacraft.com

PRESS

1