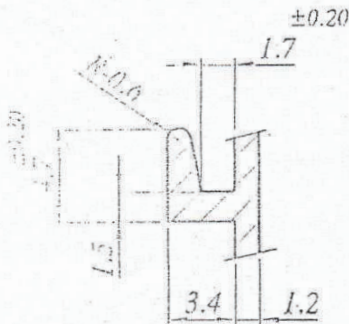


4 way 90 65

Recd 24
22/06/06

4Way 90°

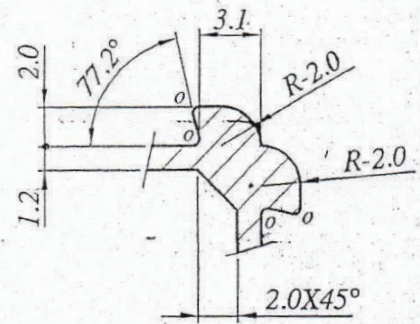


Detail At:-A

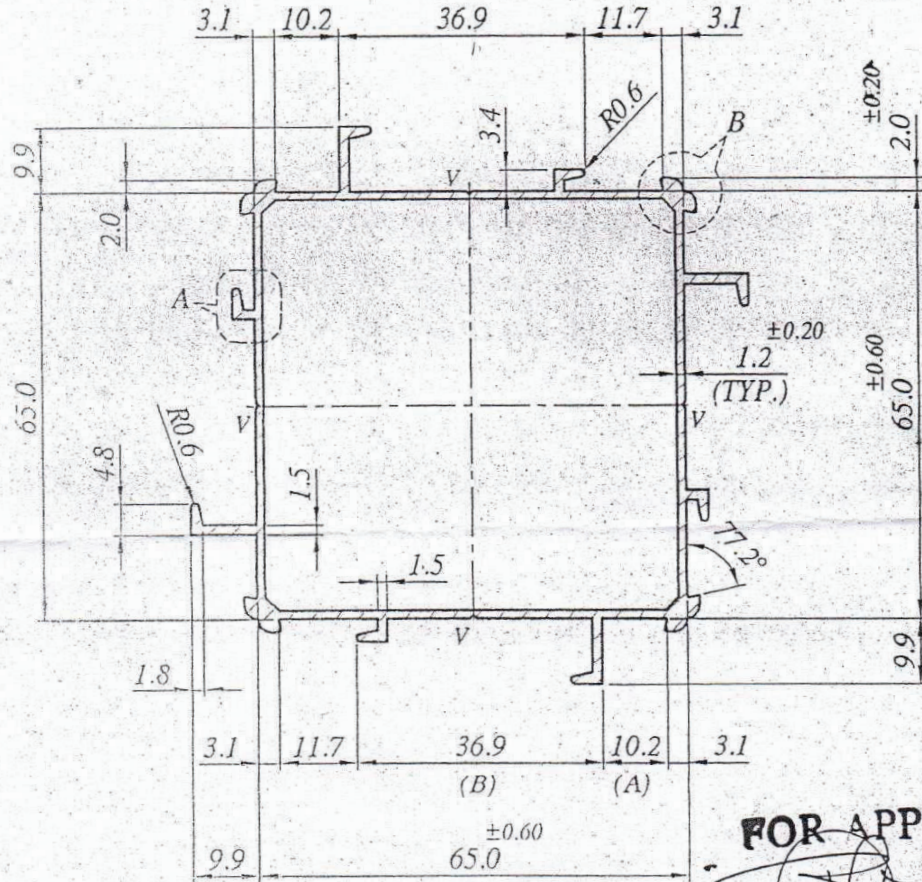
Note:-

$o = 0.30R$

$V = 0.5X1.0X90^\circ$



Detail At:-B



FOR APPROVAL

TWIST = $1/4^{\circ}/300$ M.M./M.

LOCATION:-

ALL DIMENSION ARE IN M.M.
UNSPECIFIED CORNER RADIUS:0.40

TOL. AS PER B.S.1474:1987
UNLESS SPECIFIED

STRAIGHTNESS= 1.5 M.M./MTR.
ANGULARITY = 2°

INDO ALUSYS INDUSTRIES LIMITED BHIWADI RAJASTHAN-301019

PARTY SYMBOL & DRG.		DRG.-B	PARTY NAME M/s. UNICOS		REF:-AS PER MKT. I.O.M. Dt.-26.05.2006	
			DRAWN	A.K.SHARMA	31.05.06	AREA: 475.0 MM ²
			CHECKED	[Signature]	24.6.06	WEIGHT: 1.282 KG/M.
	(B)	DIM.-36.9 WAS 37.3 M.M.	APPROVED	[Signature]	22.6.06	WT. RANGE: ----- Kg/12
	(A)	DIM.-10.2 WAS 9.8 M.M.	SCALE	1:1&3:1	DATE	ALLOY: 6063
001	(REV.)	AS PER MKT. I.O.M. Dt.-22.06.06	CRITICAL DIM. *			MAL.No. 9579
REV. STATUS	REV. NO.	DESCRIPTION	SIGN DATE	PERIMETER	INT. 245.8 EXT. 437.8	SEC.NO. D-4034
		REVISION				