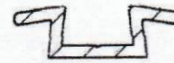


SECT.NO: | 106064

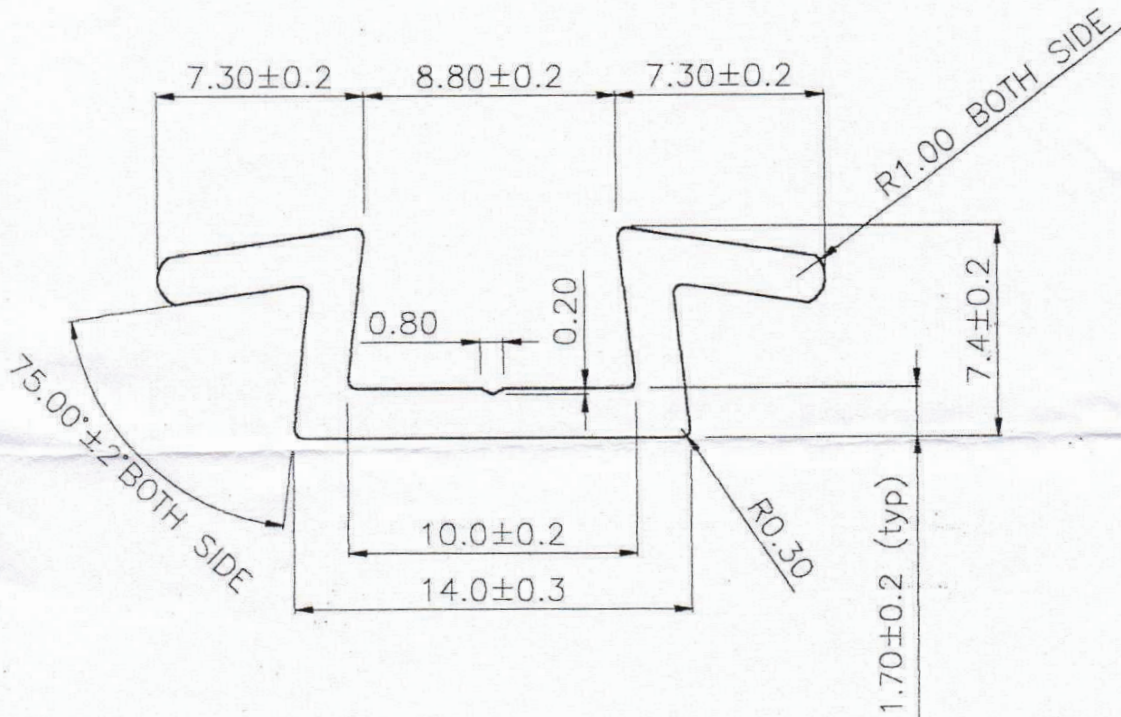
RACEWAY CHANNEL

R/Channel 65mm



175 Kg.

Q00129



Approved
[Signature]

NOTE - ALL DIM. ARE IN MM.

MIDI EXTRUSIONS LTD.

PARTY'S SAMPLE/DRG.NO:		PARTY'S NAME	244
DRAWN BY	Mukesh	REF. NO:	
CHECKED BY	S.K. Tyagi <i>[Signature]</i>	AREA	60.55 mm ²
APPROVED BY		ESTD.WEIGHT	0.163 kg/m
SCALE USED	1:1, 4:1	WEIGHT RANGE	
CRITICAL DIM. IF ANY		ALLOY & TEMPER	6063
DATE	04.10.2k, 10.10.2K	PERIMETER	72.55 mm
REMARKS	239	DRG. NO:	20100402

Raceway Channel