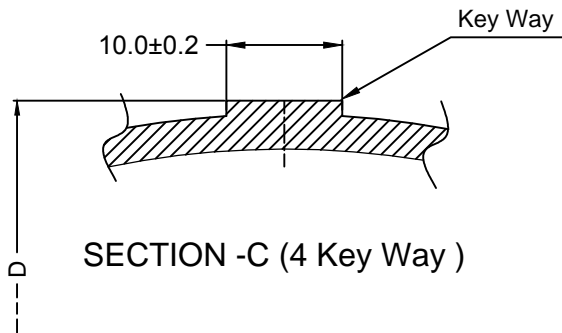


Sl. No.	Outer Dia A (mm)	Inner Dia B (mm)	Thickness T (mm)	Key way (D)	Material
1	80.0	74.0	3.0	83.0	AA6063 T6
2	93.0	87.0	3.0	96.0	AA6063 T6
3	106.0	100.0	3.0	109.0	AA6063 T6
4	119.0	113.0	3.0	122.0	AA6063 T6
5	132.0	126.0	3.0	135.0	AA6063 T6
6	145.0	139.0	3.0	148.0	AA6063 T6
7	159.0	152.0	3.5	162.6	AA6063 T6
8	173.0	166.0	3.5	176.6	AA6063 T6
9	187.0	180.0	3.5	190.6	AA6063 T6
10	203.0	195.0	4.0	NR	AA6063 T6



				Ref. Code:	Material:	 Scale NTS Size A3	Drg. No:	
				-	Al. Alloy 6063 T6		All Dimensions are in mm	
				Doc. Code:	Finish:	TOL: ±1.0%	DRN.	S. Singh
				MD	Anodized 20 Micron	APPD.	SK. Jhang	
				 PRECISION ELECTRONICS LIMITED	Title:		Name	Sign
					Al. Pipe Sections (Ø80 - Ø203 mm)			
P1	27.01.23	Provisional		Part No:	Ref. Table	Sheet	1 of 1	Issue
Iss	Date	Brief Record	Appd.					P1