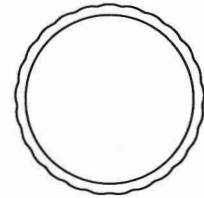
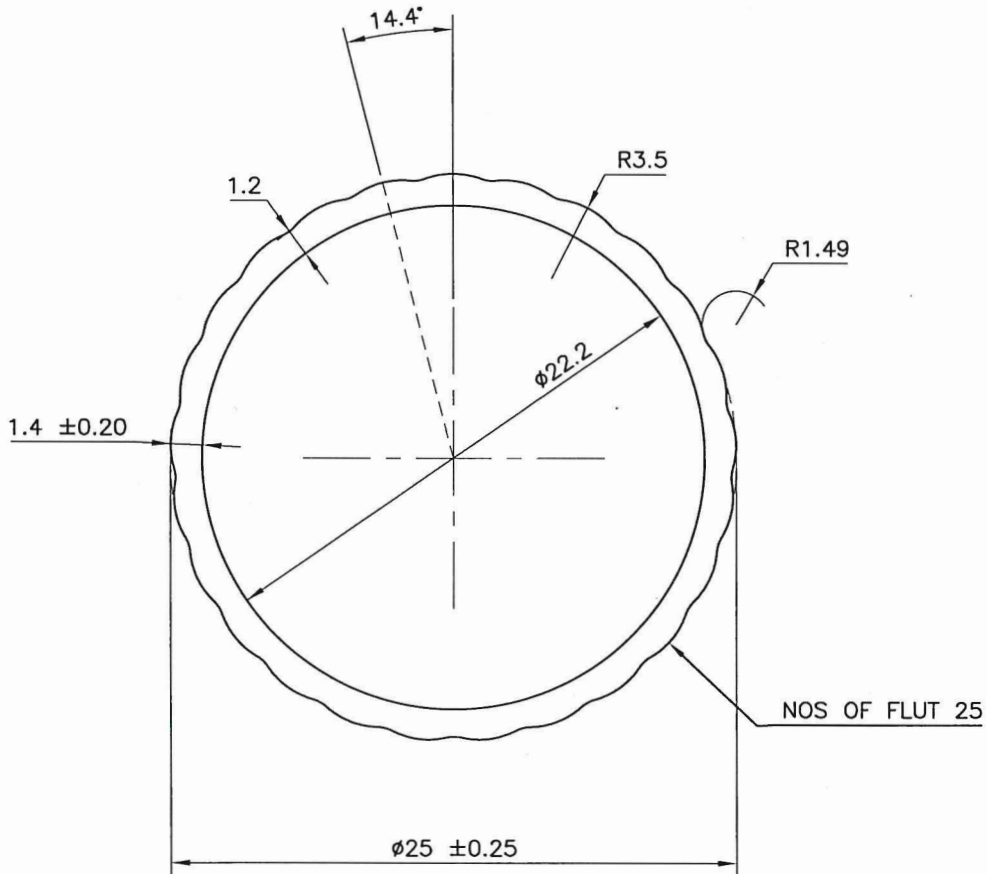


Q00130



SCALE 1:1



TWIST= $\pm 1/4^\circ/300M.M./M.$
 FLATNESS= $WIDTH \times 0.005mm.$
 STRAIGHTNESS= $1.5 M.M./MTR.$
 ANGULARITY= $\pm 1.5^\circ$



SYMBOL OF QUALITY
AN ISO 9001 COMPANY

JINDAL ALUMINIUM LTD.
BHIWADI-301019 (INDIA)

	NAME	DATE
DRAWN	ASHUTOSH	24-08-2022
CHECKED		
APPROVED		

1. ALL DIMENSIONS ARE IN mm.
2. ROUND OFF ALL SHARP CORNERS WITH 0.40 mm.
3. TOLERANCES WILL BE AS PER BS:EN-755-9 , UNLESS OTHERWISE SPECIFIED

SCALE	1:1 & 3:1
AREA mm ²	97.46
PERIMETER mm.	78.88
WEIGHT kg/m	0.263

PARTY'S NAME M/S. UNGER INDIA

DRAWING No. SECTION No.

PARTY'S DRAWING No. AS PER DRAWING **SAMPLE**

ALLOY & TEMPER 6063-T6

DESCRIPTION --