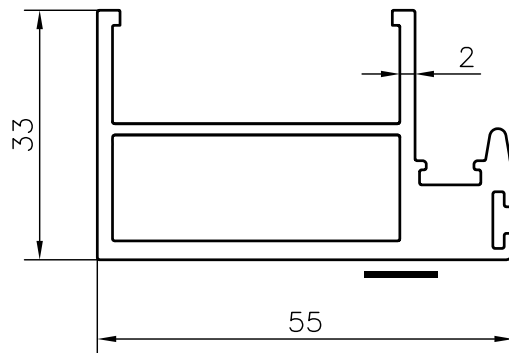


PROPOSAL DRAWING
Q01728



PLEASE NOTE:-

**— DUE TO THICKNESS VARIATION
IMPRESSION MARK MAY
APPEAR IN THIS MARKED
PORTION.**