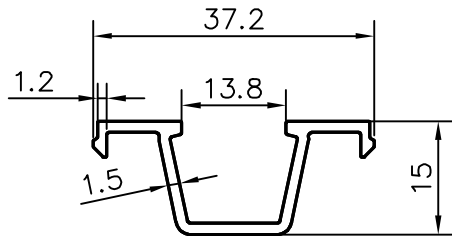


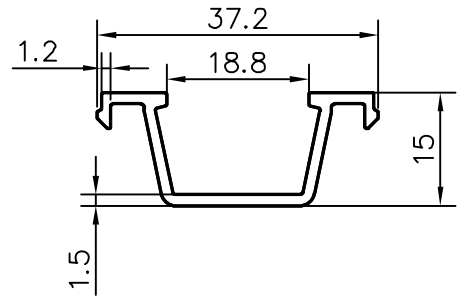
# Supplementary Profile

Q01752



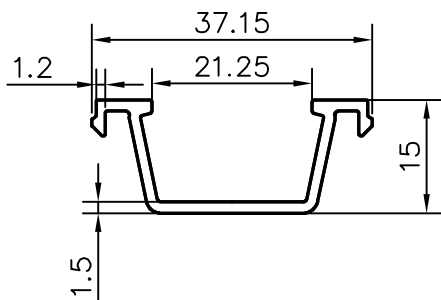
84509  
GLAZING ADAPTOR-1

Q01753



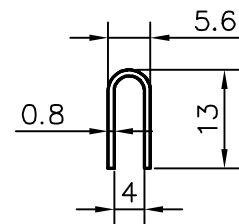
84510  
GLAZING ADAPTOR-2

Q01754



84511  
GLAZING ADAPTOR-3

Q01755



A606  
Guide Rail