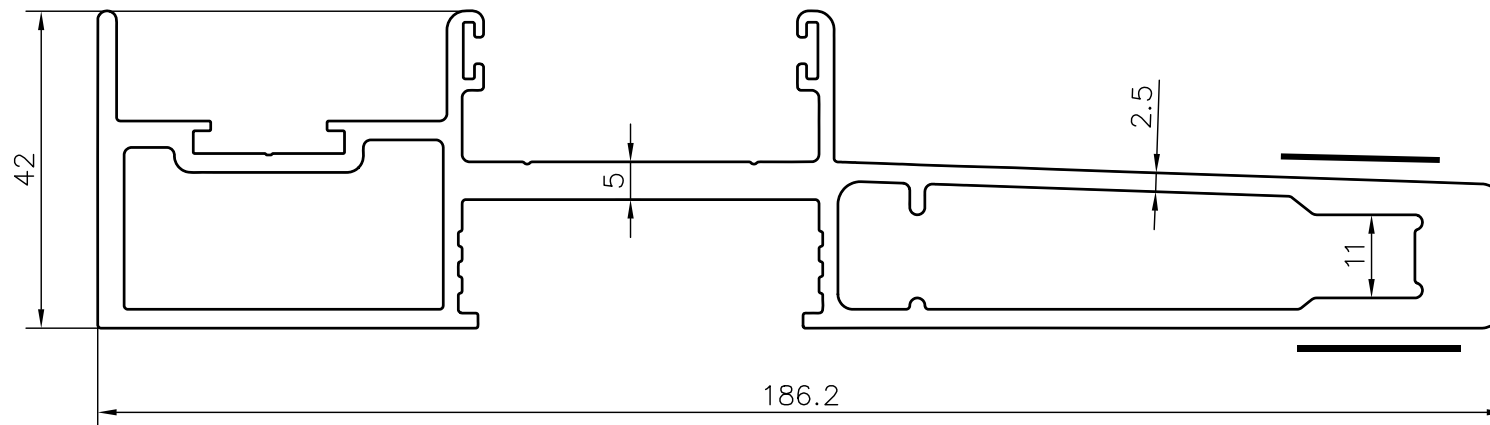


PROPOSAL DRAWING
Q01769



PLEASE NOTE: -
DUE TO THICKNESS VARIATION
IMPRESSION MARK MAY
APPEAR IN THIS MARKED
PORTION.