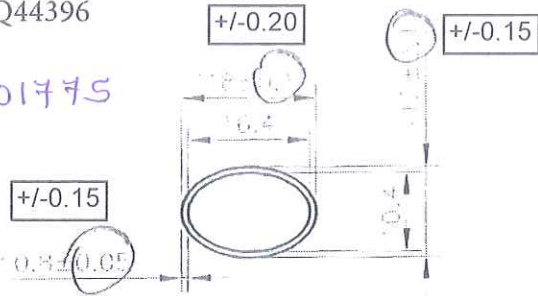


Q44396

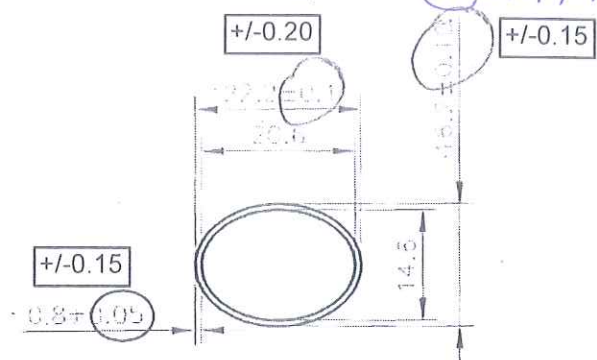
Q01775



Area: 35.688 Sq.mm. | Weight: 00.096 Kg./mtr.  
 Perimeter 47.6mm  
 Date: 18-03-2024

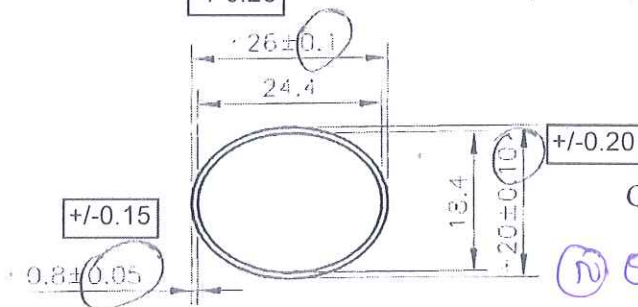
Q44397

Q01776



Area: 46.244 Sq.mm. | Weight: 00.125 Kg./mtr.  
 Perimeter 60.69mm  
 Date: 18-03-2024

+/-0.25



Q44398

Q01777

Area: 55.795 Sq.mm. | Weight: 00.151 Kg./mtr.  
 Perimeter 72.56mm  
 Date: 18-03-2024

Jointly Discuss With Quality & Production team  
 We can give these profiles in 1.10 mm. thickness.

NOTE :

1. MATERIAL: ALUMINIUM 6063-T5
2. FINISH: ANODIZED
3. TOLERANCES: AS PER IS: 2875
4. SURFACE: AS PER IS: 2875
5. DIMENSIONS: AS PER DRAWING
6. WEIGHT: AS PER CALCULATION
7. PERIMETER: AS PER CALCULATION
8. AREA: AS PER CALCULATION
9. DATE: 18-03-2024
10. DRAWN BY: [Name]
11. CHECKED BY: [Name]
12. APPROVED BY: [Name]