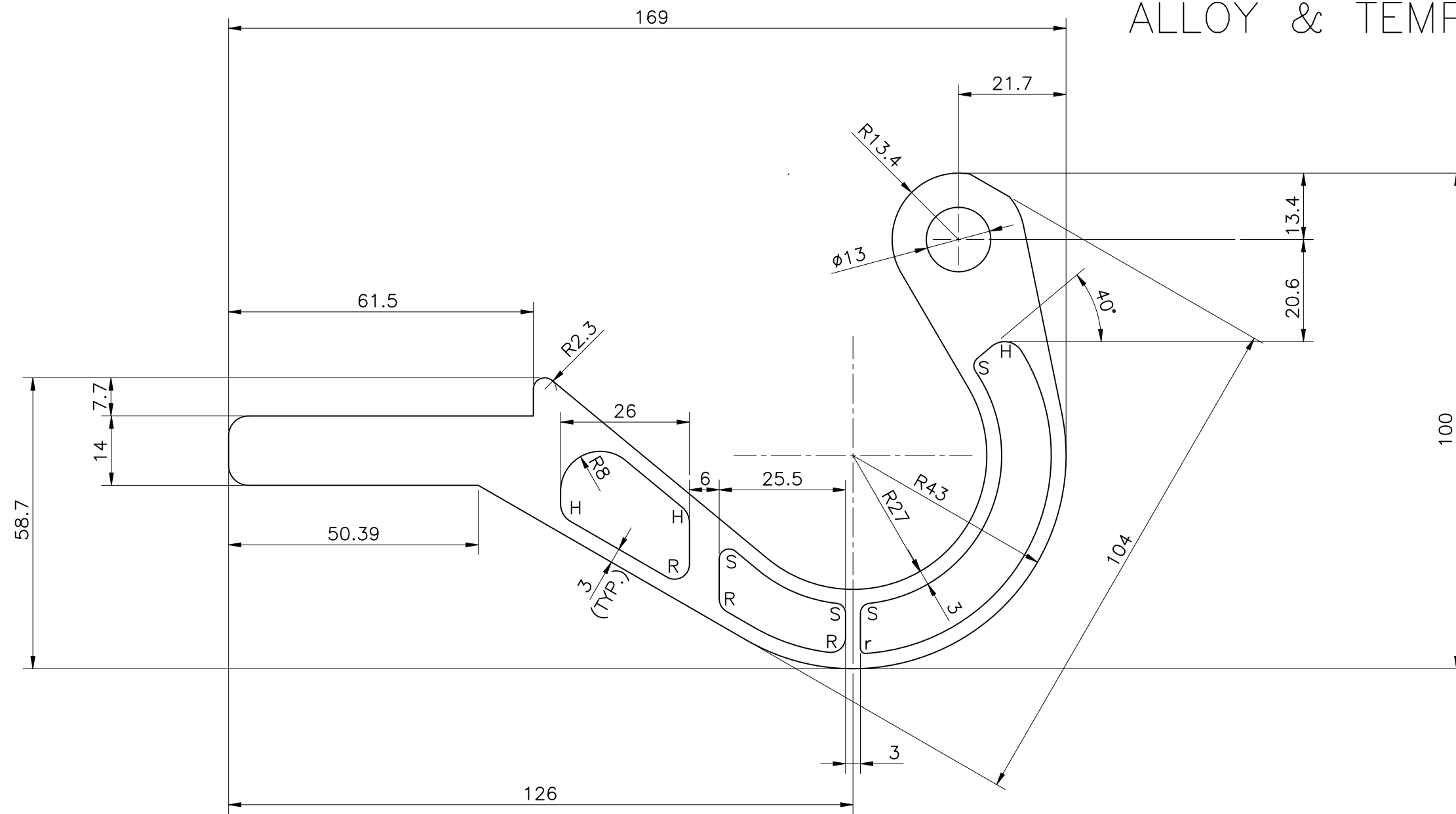


FOR QUOTATION USE ONLY


ALLOY & TEMPER 6005-T6



NOTE:-

- $r = 1.00R$
- $S = 2.00R$
- $R = 3.00R$
- $H = 4.00R$

Q00139

 SYMBOL OF QUALITY AN ISO 9001 COMPANY	JINDAL ALUMINIUM LTD. BHIWADI-301019 (INDIA)	NAME	DATE
		DRAWN	ASHUTOSH 09-09-2022
1. ALL DIMENSIONS ARE IN mm. 2. ROUND OFF ALL SHARP CORNERS WITH 0.40 mm. 3. TOLERANCES WILL BE AS PER BS:EN-755-9 , UNLESS OTHERWISE SPECIFIED		CHECKED	
		APPROVED	
PARTY'S NAME M/S. ENSTO INDIA PVT. LTD.		SCALE	1:1
		AREA mm ²	2833.68
PARTY'S DRAWING No. AS PER DRAWING (PSS624)		PERIMETER mm.	537.73
		WEIGHT kg/m	7.651
ALLOY & TEMPER 6005-T6		DRAWING No.	SECTION No.
DESCRIPTION -			