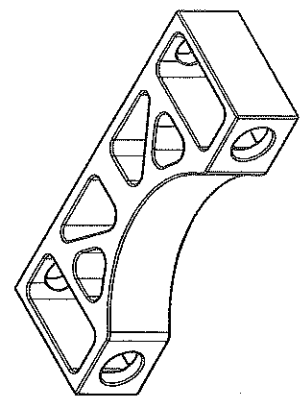
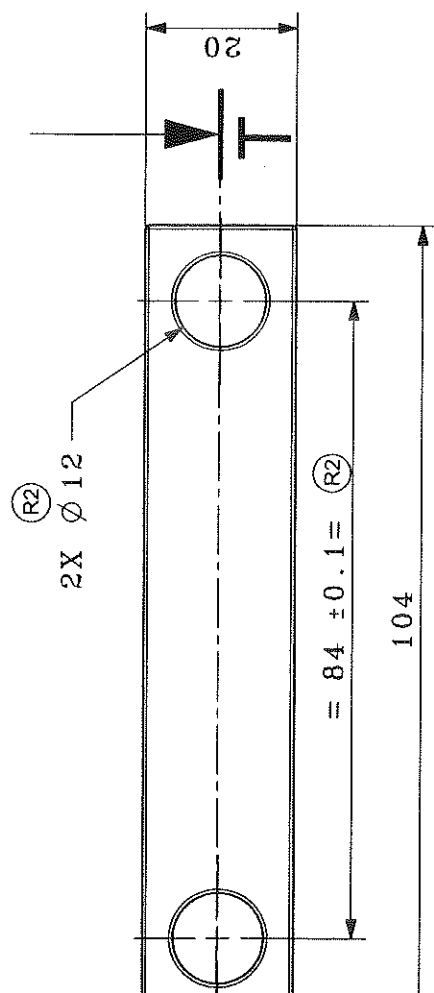
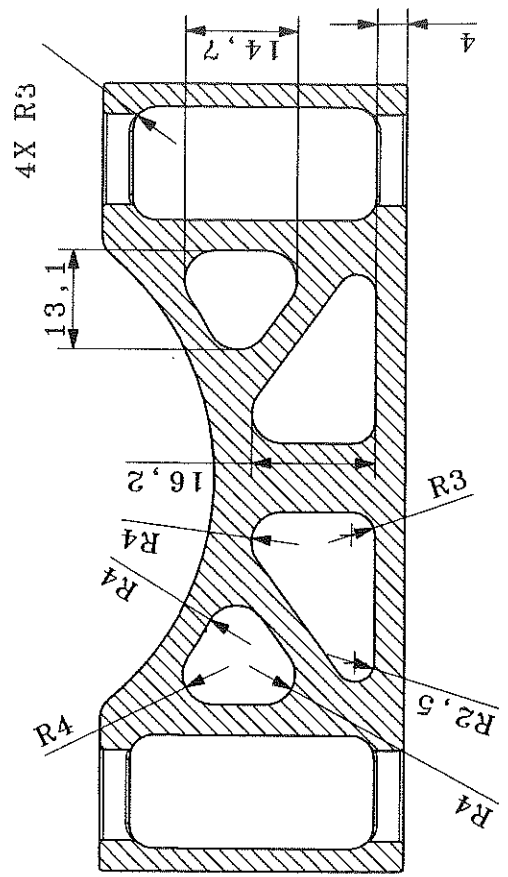


Q01779

SECTION T-T



1) REMOVE SHARP EDGES 2) DRAWING NOT TO BE SCALE 3) OPEN TOLERANCE ARE ±0.2	REV. -R2	DESCRIPTION:- DRAWING IS UPDATED TO MAKE COMMON COMPONENT FOR USA AND MARE PROJECT	
	ALL DIMENSIONS ARE IN MM. UNLESS OTHERWISE SPECIFIED		
TITLE:-SSMT BEAM SUPPORT BRACKET (USA)		NAME	DATE
SCALE		DRAWN	MOHIT 21.11.23
MATERIAL		REVISION	MOHIT 18.04.24
NTS		APPROVED	RAVI 18.04.24
AL 6063 T6		WEIGHT	0.09 KG
SHAKTI PUMPS (INDIA) LTD. PITHAMPUR		SHEET	1 OF 1
DRG.NO		4800029592	