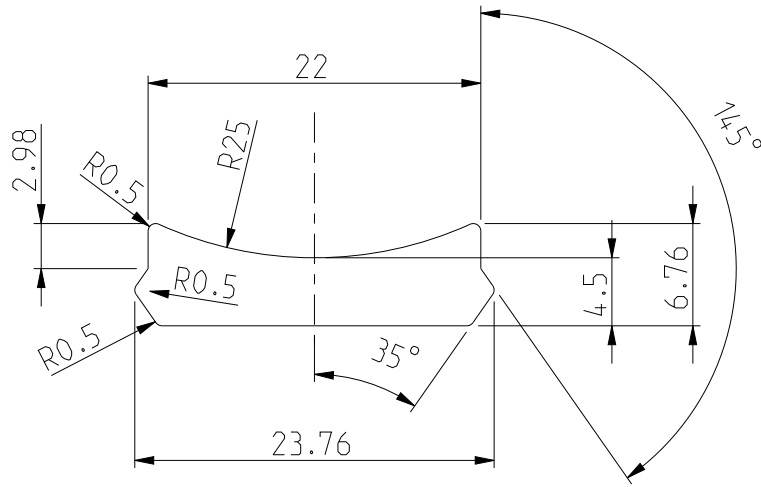


ID	Description	Date	By	Appr.
A	New drawing made with Creo	25.06.2015	MPe	MSa

Q00142



Length of the profile is 4000mm.

Tolerance:	SFS-EN 755-9
Hardness:	95-115 HB

Part	Code	Description	Pcs	Weight (g)/pcs
Supplier: -	Tool No: -	Volume -	Weight (g)	1291

Material: EN AW -6082 T6      Ensto Mat: -

		<p>Pressin Plate Profile For Suspension Clamp 7050</p>	Replaces:	4034451
Ensto Finland Oy Ensto Utility Networks			Replaced:	
Scale	Date		Draw No:	000240691 A
2:1	17.06.15		Ref:	PSS592
A4	By		Code:	RABP325
Sheet No: 1 (1)	Checked			
	Ctrl			