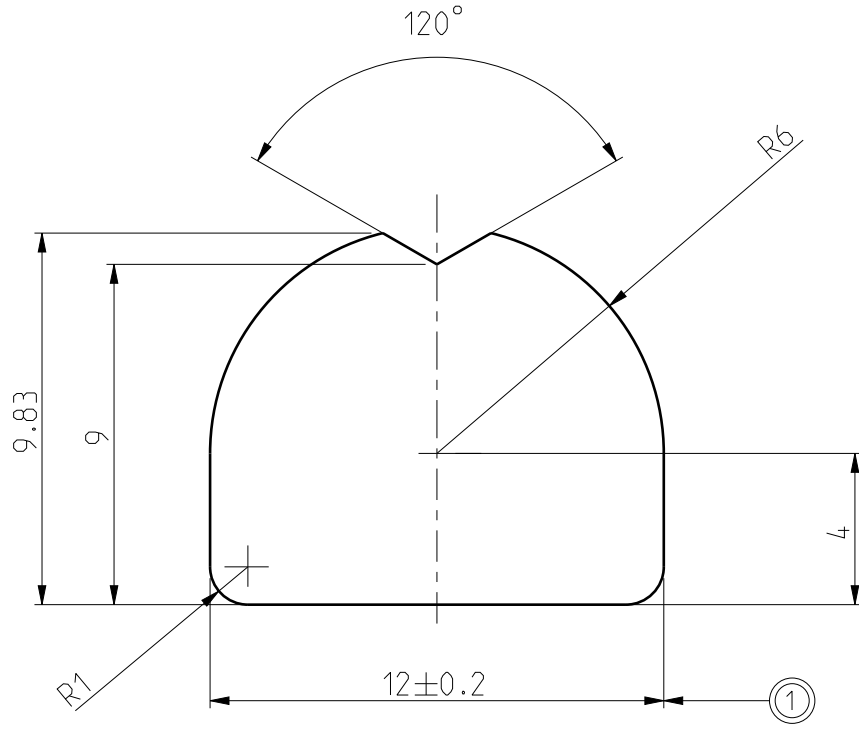


Model RABP355.pprt [A]
Drawing RABP355.drw

ID	Description	Date	By	Appr.
A	Modelled with Creo	26.05.2015	JoE	ATo

Q00144



Symbol	Instruction of the Symbol	No. of Dim
⊕	Basic Dimension. To be measured in full measurement of part	-
Ⓞ	Cpk dimension. To be measured in process capability study	-
⊙	SPC dimension. To be measured during production	1

Note: All numbered dimensions are to be measured in full measurement

Hardness:	90-115 HB
Tolerance:	SFS-EN755-9

Part	Code	Description	Pcs	Weight (g)/pcs
Supplier: -	Tool No: -	Volume -	Weight (g)	1112
Material: EN AW -6082 T6		Ensto Mat: -		

 Ensto Finland Oy Ensto Utility Networks		Al profile - -	Replaces:	4034687
			Replaced:	
Scale	Date	26.5.2015	Draw No:	000236684 A
5:1	By	JoE	Ref:	PSS373
A4	Checked		Code:	RABP355
Sheet No: 1 (1)	Ctrl			