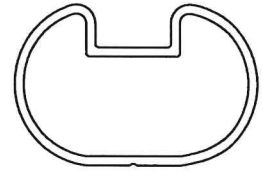
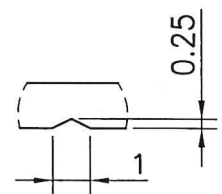
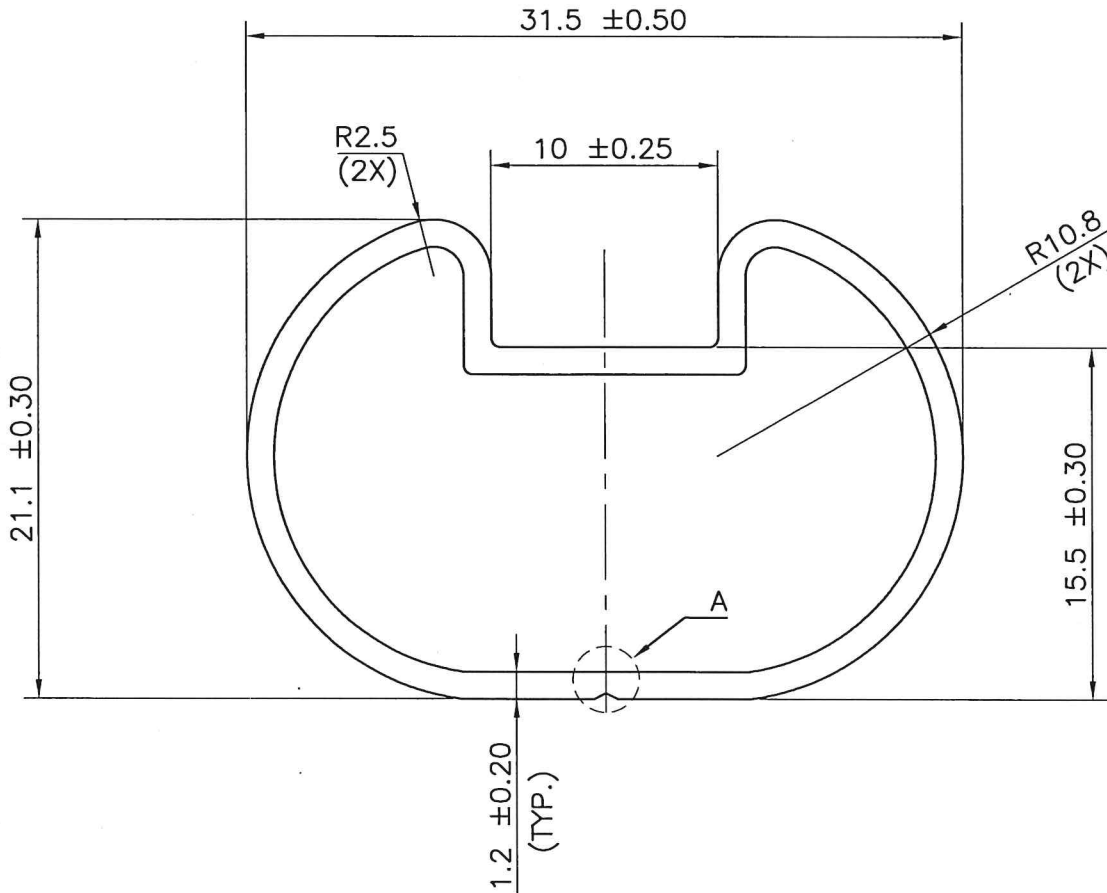


PROPOSED DRAWING

Q 00151



SCALE 1:1



DETAIL A
SCALE 5:1



SYMBOL OF QUALITY
AN ISO 9001 COMPANY

JINDAL ALUMINIUM LTD.
BHIWADI-301019 (INDIA)

	NAME	DATE
DRAWN	ASHUTOSH	15-09-2022
CHECKED	<i>Sumit</i>	15-9-22
APPROVED	<i>PKC</i>	18/09/22

1. ALL DIMENSIONS ARE IN mm.
2. ROUND OFF ALL SHARP CORNERS WITH 0.40 mm.
3. TOLERANCES WILL BE AS PER BS:EN-755-9 , UNLESS OTHERWISE SPECIFIED

SCALE	1:1&3:1
AREA mm ²	111.91
PERIMETER mm.	96.39
WEIGHT kg/m	0.302

PARTY'S NAME	M/S. FALCON GARDEN TOOLS PVT. LTD.	DRAWING No.	SECTION No.
PARTY'S DRAWING No.	AS PER DRAWING (FGT/S-64/006/BP)		
ALLOY & TEMPER	6063-T6		
DESCRIPTION	--		