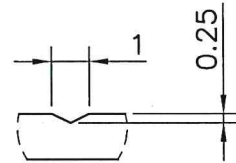
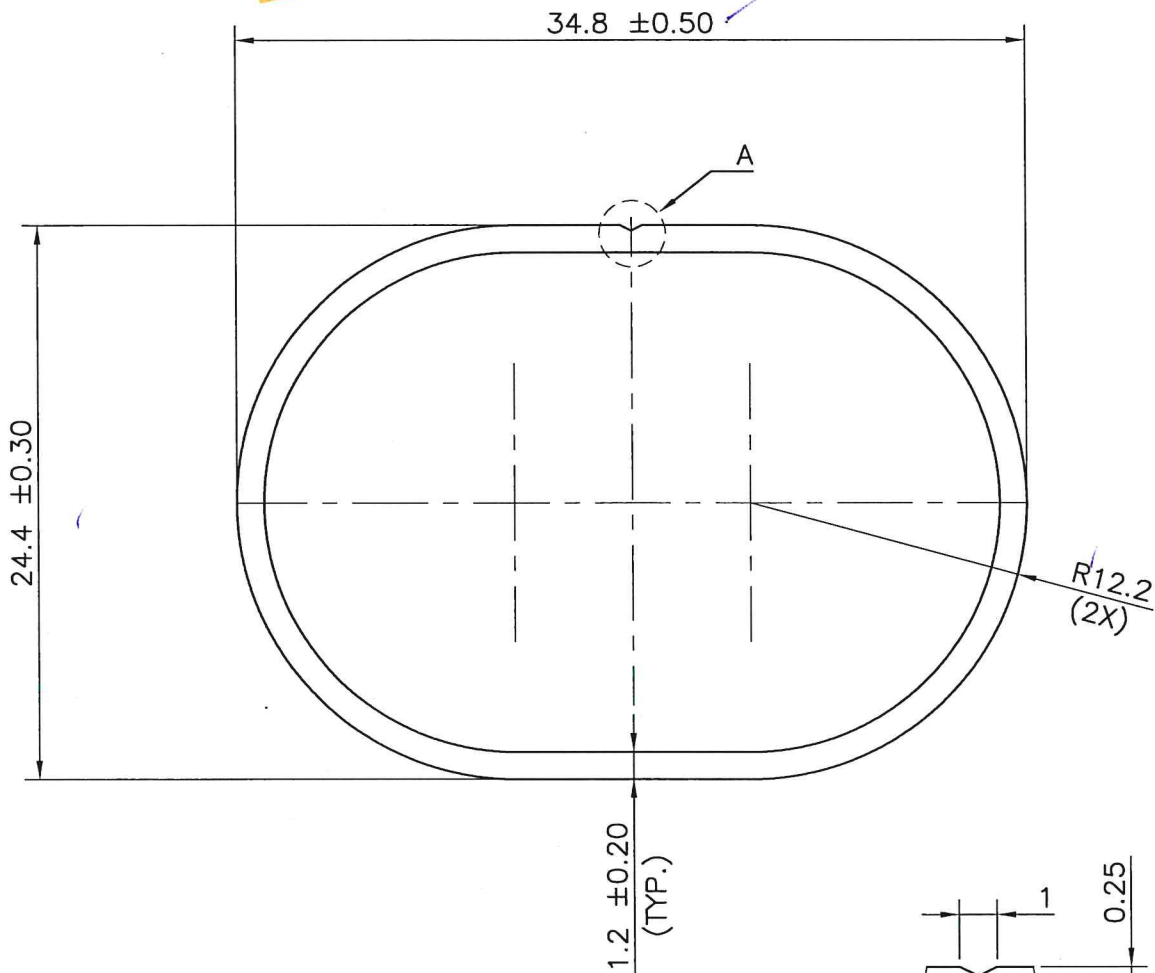



PROPOSED DRAWING

00152



DETAIL A
SCALE 5:1

 SYMBOL OF QUALITY AN ISO 9001 COMPANY	JINDAL ALUMINIUM LTD. BHIWADI-301019 (INDIA)	NAME	DATE
		DRAWN	ASHUTOSH
1. ALL DIMENSIONS ARE IN mm. 2. ROUND OFF ALL SHARP CORNERS WITH 0.40 mm. 3. TOLERANCES WILL BE AS PER BS:EN-755-9 , UNLESS OTHERWISE SPECIFIED		CHECKED	15-9-22
		APPROVED	18/09/22
PARTY'S NAME M/S. FALCON GARDEN TOOLS PVT. LTD.		SCALE	1:1&3:1
		AREA mm ²	112.30
PARTY'S DRAWING No. AS PER DRAWING (FGT/S-64/007/BP)		PERIMETER mm.	97.57
		WEIGHT kg/m	0.303
ALLOY & TEMPER 6063-T6		DRAWING No.	SECTION No.
DESCRIPTION --			