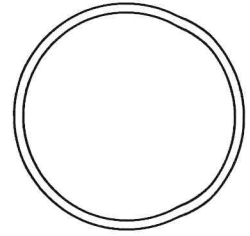
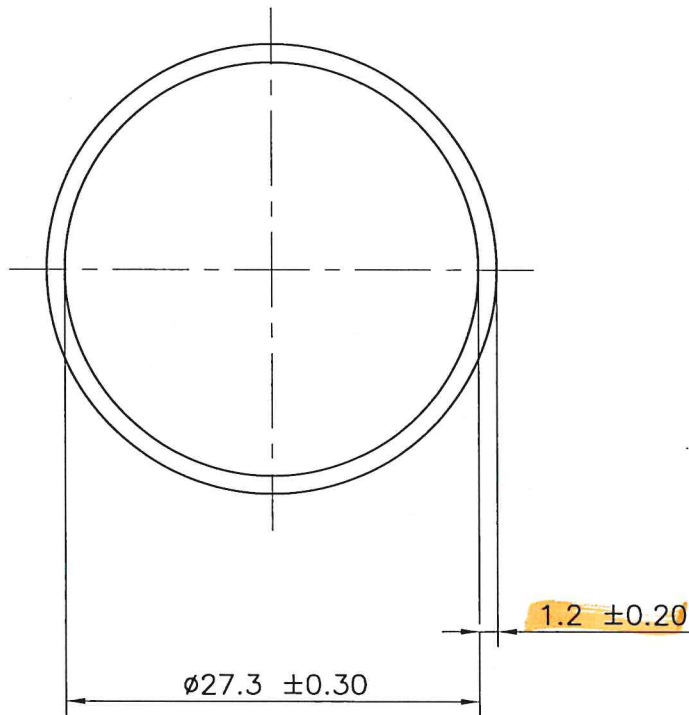


PROPOSED DRAWING



SCALE 1:1

Q00156



SYMBOL OF QUALITY  
AN ISO 9001 COMPANY

**JINDAL ALUMINIUM LTD.**  
BHIWADI-301019 (INDIA)

	NAME	DATE
DRAWN	ASHUTOSH	22.09.2022
CHECKED	Juni	22.09.22
APPROVED	Rai	22.09.22
SCALE		1:1&2:1
AREA mm <sup>2</sup>		107.44
PERIMETER mm.		93.31
WEIGHT kg/m		0.290
DRAWING No.		SECTION No.

1. ALL DIMENSIONS ARE IN mm.
2. ROUND OFF ALL SHARP CORNERS WITH 0.40 mm.
3. TOLERANCES WILL BE AS PER BS:EN-755-9 , UNLESS OTHERWISE SPECIFIED

PARTY'S NAME	M/S JAYANITA EXPORTS PVT. LTD.
PARTY'S DRAWING No.	AS PER DRAWING (1006637)
ALLOY & TEMPER	E91E-W
DESCRIPTION	ROUND TUBE