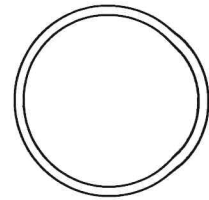
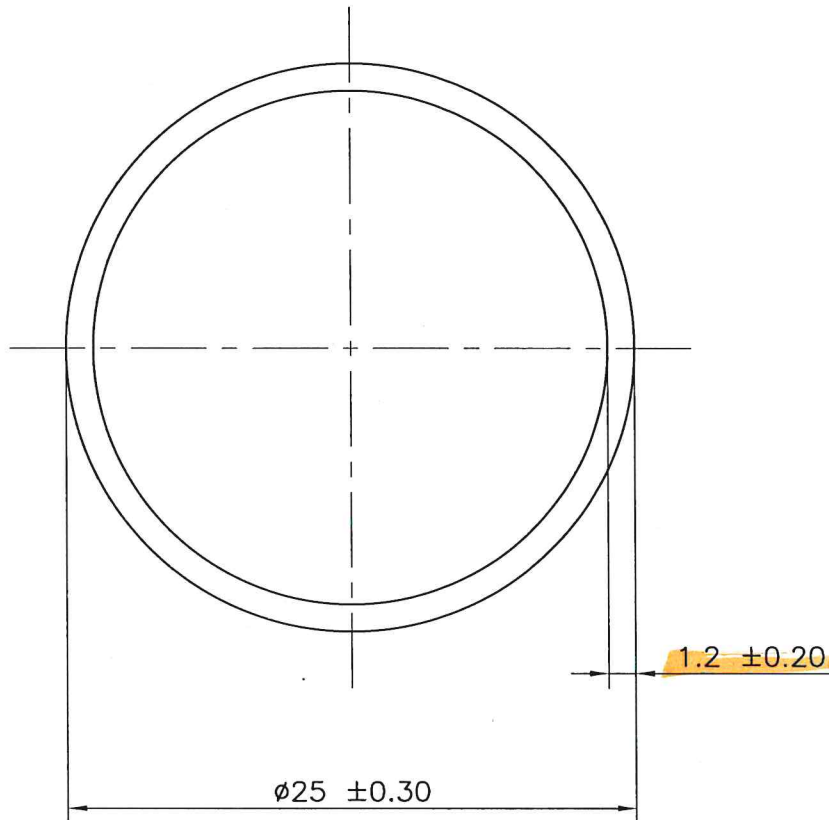


PROPOSED DRAWING



SCALE 1:1

Q00157



SYMBOL OF QUALITY
AN ISO 9001 COMPANY

JINDAL ALUMINIUM LTD.
BHIWADI-301019 (INDIA)

	NAME	DATE
DRAWN	ASHUTOSH	22.09.2022
CHECKED	<i>[Signature]</i>	22-9-22
APPROVED	<i>[Signature]</i>	22.09.22
SCALE		1:1&3:1
AREA mm ²		89.72
PERIMETER mm.		78.54
WEIGHT kg/m		0.242
DRAWING No.		SECTION No.

1. ALL DIMENSIONS ARE IN mm.
2. ROUND OFF ALL SHARP CORNERS WITH 0.40 mm.
3. TOLERANCES WILL BE AS PER BS:EN-755-9 , UNLESS OTHERWISE SPECIFIED

PARTY'S NAME	M/S JAYANITA EXPORTS PVT. LTD.
PARTY'S DRAWING No.	AS PER DRAWING (101175)
ALLOY & TEMPER	E91E-W
DESCRIPTION	ROUND TUBE