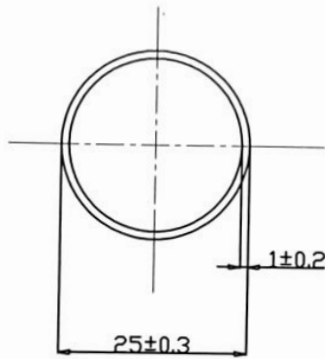


Q00157



**NOTES**

1. Thickness Variation 0.15 MM Max.
2. Straightness Tolerance 1.5 mm/mtr.
3. Surface Finish Important.

All Dimensions Are in mm. Unless Otherwise Specified.

|         |         |      |      |
|---------|---------|------|------|
| 0       |         |      |      |
| Rev No. | Details | Date | Appd |

|                                |  |   |        |      |          |
|--------------------------------|--|---|--------|------|----------|
| Drawing No. :                  |  | Unless otherwise specified, all tolerances shall be as IS : 2673-1979 |        | Date | 18-06-22 |
| Part No. :                     |  | Alloy & Temper  | E91E-W | Drn  |          |
| Estimated Area. : 75.00 sq.mm. |  | Scale   | 1:1    | Chkd |          |
| Estimated Weight. : 0.200 Kg/m |  | SECTION NO. 1001175   |        | Appd |          |
| Estimated Perimeter. :         |  |   |        |      |          |