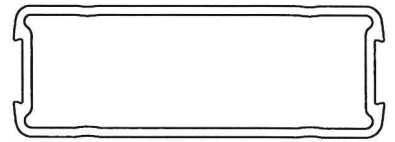
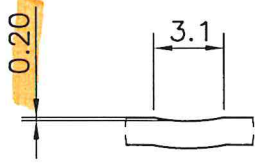


PROPOSED DRAWING

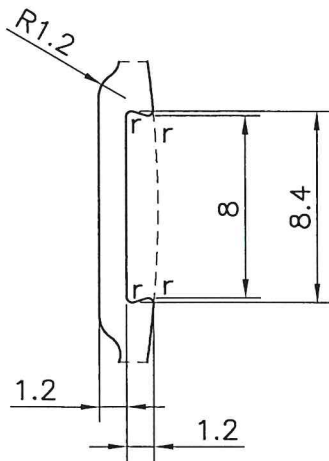


SCALE 1:1

Q00158



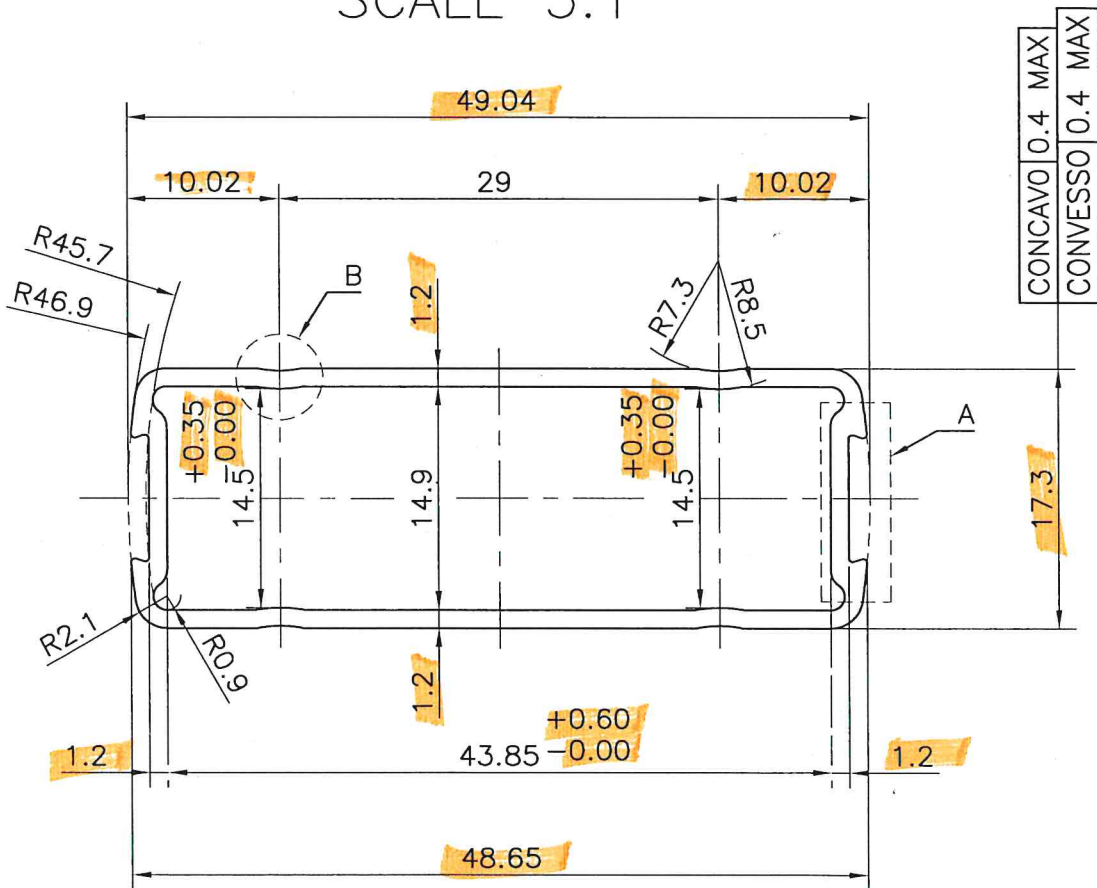
DETAIL B
SCALE 3:1



DETAIL A
SCALE 3:1

NOTE:-

$$r = 0.25R$$



CONCAVO 0.4 MAX
CONVESSO 0.4 MAX



SYMBOL OF QUALITY
AN ISO 9001 COMPANY

JINDAL ALUMINIUM LTD.
BHIWADI-301019 (INDIA)

| | NAME | DATE |
|----------|----------|------------|
| DRAWN | ASHUTOSH | 22.09.2022 |
| CHECKED | Sunil | 29.9.22 |
| APPROVED | Prav | 22/09/22 |

1. ALL DIMENSIONS ARE IN mm.
2. ROUND OFF ALL SHARP CORNERS WITH 0.40 mm.
3. TOLERANCES WILL BE AS PER BS:EN-755-9, UNLESS OTHERWISE SPECIFIED

| | |
|----------------------|-------------|
| SCALE | 1:1&2:1 |
| AREA mm ² | 155.38 |
| PERIMETER mm. | 131.99 |
| WEIGHT kg/m | 0.420 |
| DRAWING No. | SECTION No. |
| | |
| | |
| | |
| | |

| | |
|---------------------|--------------------------|
| PARTY'S NAME | M/S NAXSO INDIA |
| PARTY'S DRAWING No. | AS PER DRAWING (VB11939) |
| ALLOY & TEMPER | 6063-T6 |
| DESCRIPTION | -- |