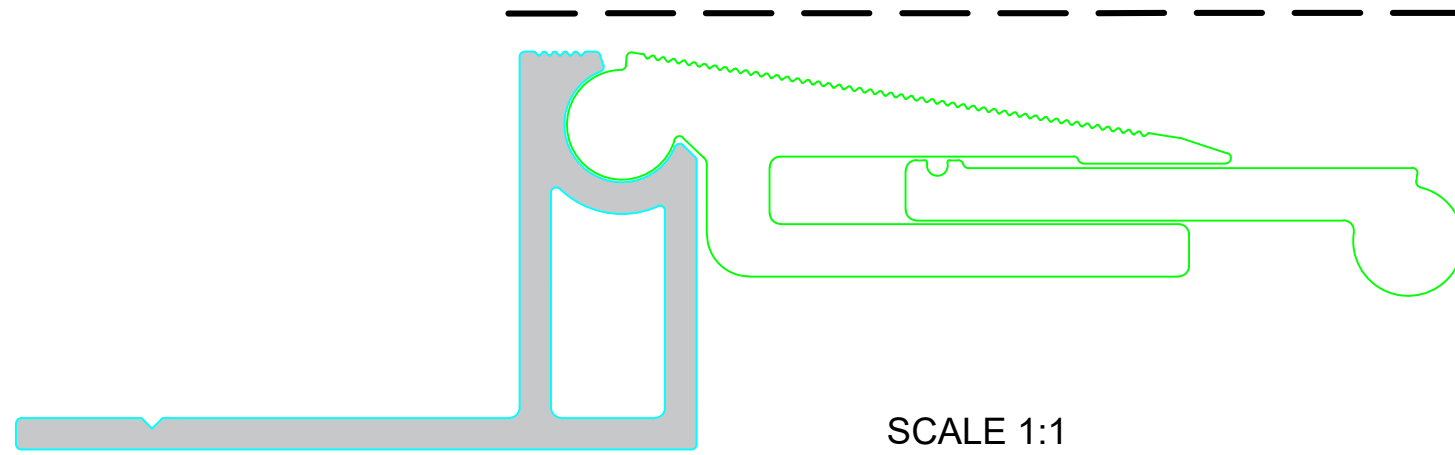
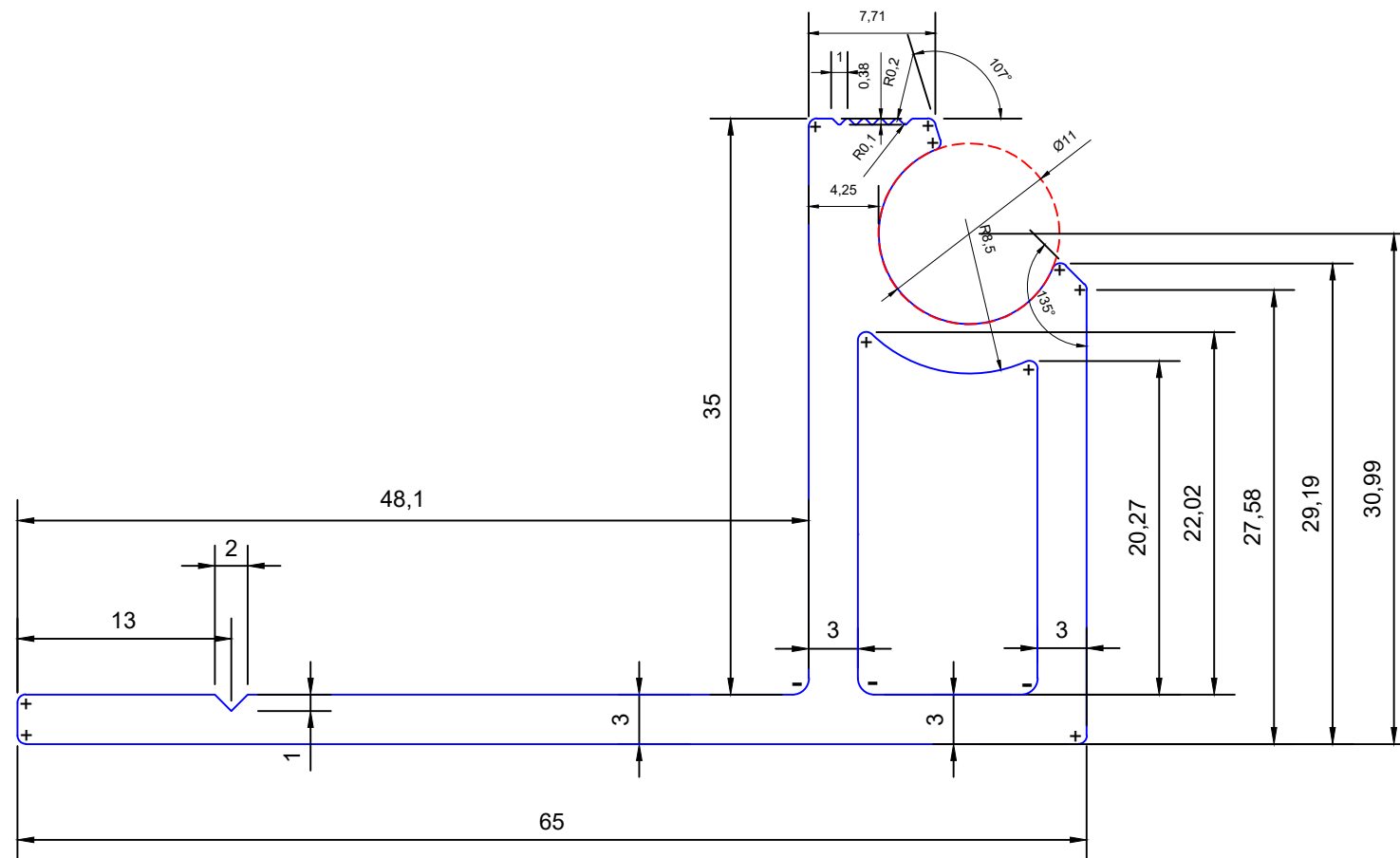


Q00163



SCALE 1:1



DISCLAIMER :

This drawing is the property of Gap Masters India Private Limited and contains confidential proprietary information that should not be disclosed to third parties and is not to be used without the written approval of Gap Masters India Pvt. Ltd.



GAP MASTERS INDIA PRIVATE LIMITED

DRAWING TITLE

GM200F050

Drawing Specs:

Drawing Type:	Component
Drawing/Component:	GM200F050
Drawing Revision:	01
Manufacturing Process:	Extrusion
Material:	Aluminium
Grade:	6063
Temper:	T6
Finish:	Mill
Colour:	NA
Component Length (m):	3
Tolerance +/- mm:	0.01
Sectional Area (mm ²):	436.16
Weight kg/m:	1.186

Legends:

+ Radius (mm):	0.5
- Radius (mm) :	1.0
Other unspecified curves (Radius mm):	0.2
Exposed Surface:	-----

Drawn By: BS

Drawn By: SJ

Date: 03/04/2020