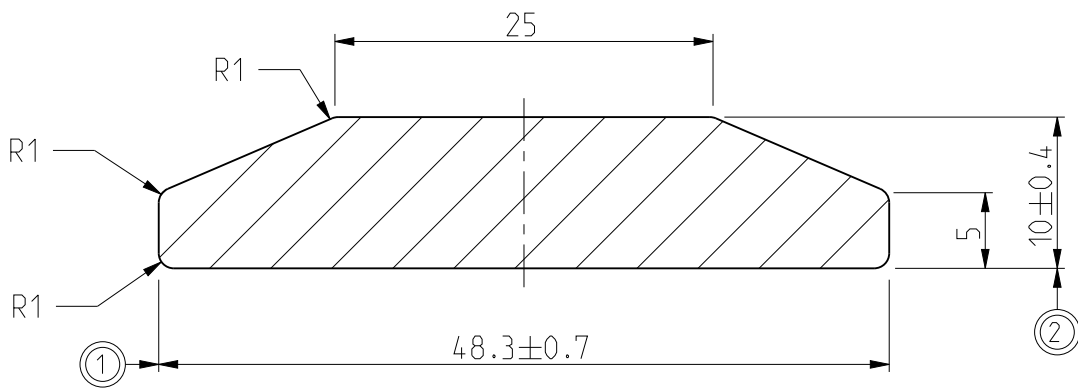


Model RABP291.pprt [A]  
Drawing RABP291.drw

ID	Description	Date	By	Appr.
A	Modelled with Creo	28.08.2015	JoE	MSa



Symbol	Instruction of the Symbol	No. of Dim
⊕	Basic Dimension. To be measured in full measurement of part	-
⊖	Cpk dimension. To be measured in process capability study	-
⊙	SPC dimension. To be measured during production	2

Note: All numbered dimensions are to be measured in full measurement

Hardness:	95-115 HB
Tolerance:	SFS-EN755-9

Part	Code	Description	Pcs	Weight (g)/pcs
Supplier: -	Tool No: -	Volume -	Weight (g)	4598

Material: EN AW-6082 T6      Ensto Mat: -

 Ensto Finland Oy Ensto Utility Networks		Al profile	Replaces:	4034163 C
			Replaced:	
Scale	Date	-	Drw No:	000237850 A
2:1	By	-	Ref:	PSS515
A4	Checked		Code:	RABP291
Sheet No: 1 (1)	Ctrl			