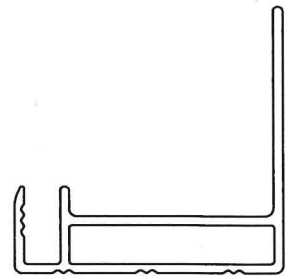
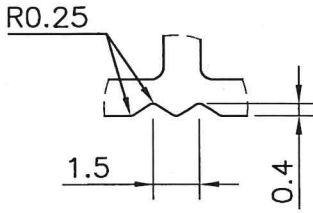


PROPOSED DRAWING

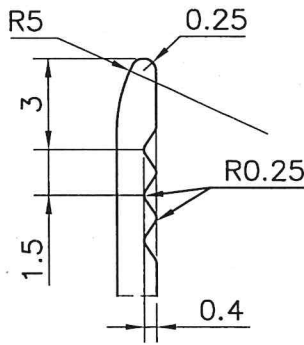
**Φ 00179**



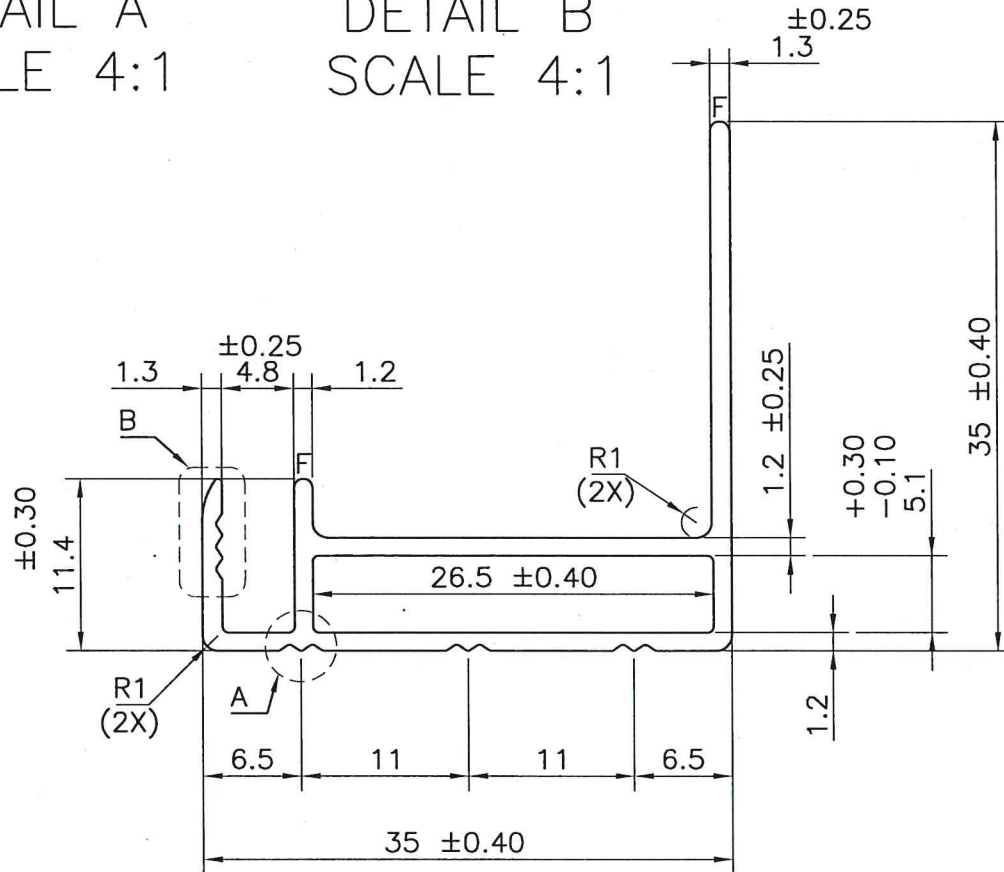
SCALE 1:1



DETAIL A  
SCALE 4:1



DETAIL B  
SCALE 4:1



NOTE:-

F= FULL RADIUS



SYMBOL OF QUALITY  
AN ISO 9001 COMPANY

**JINDAL ALUMINIUM LTD.**  
BHIWADI-301019 (INDIA)

	NAME	DATE
DRAWN	ASHUTOSH	12-10-2022
CHECKED	Sunil	12-10-22
APPROVED	Jha	12-10-22
SCALE		1:1&2:1
AREA	mm <sup>2</sup>	138.92
PERIMETER	mm.	166.24
WEIGHT	kg/m	0.375
DRAWING No.		SECTION No.

1. ALL DIMENSIONS ARE IN mm.
2. ROUND OFF ALL SHARP CORNERS WITH 0.40 mm.
3. TOLERANCES WILL BE AS PER BS:EN-755-9 , UNLESS OTHERWISE SPECIFIED

PARTY'S NAME	M/s. GAUTAM SOLAR
PARTY'S DRAWING No.	AS PER MAIL (10.10.2022)
ALLOY & TEMPER	6063-T6
DESCRIPTION	--