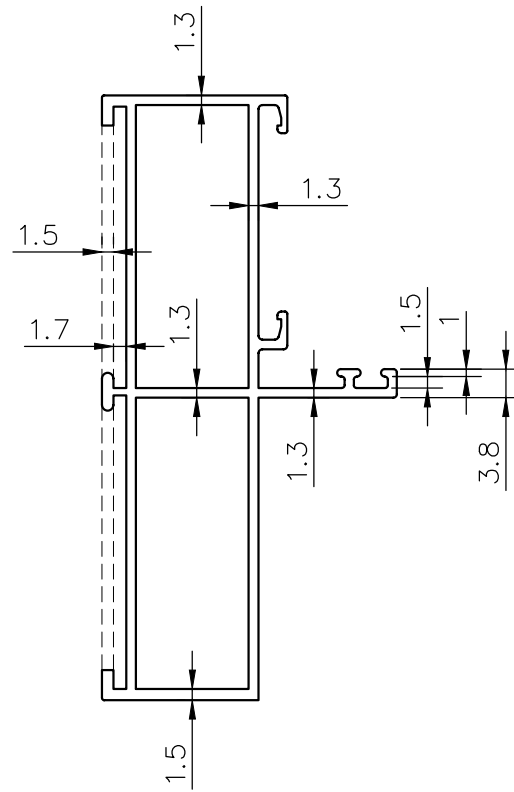


PROPOSED DRAWING

Q00701



Area: -344.79
wt: -0.931