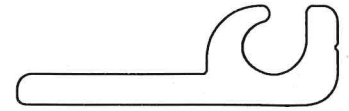
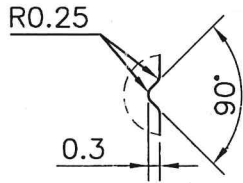


PROPOSED DRAWING

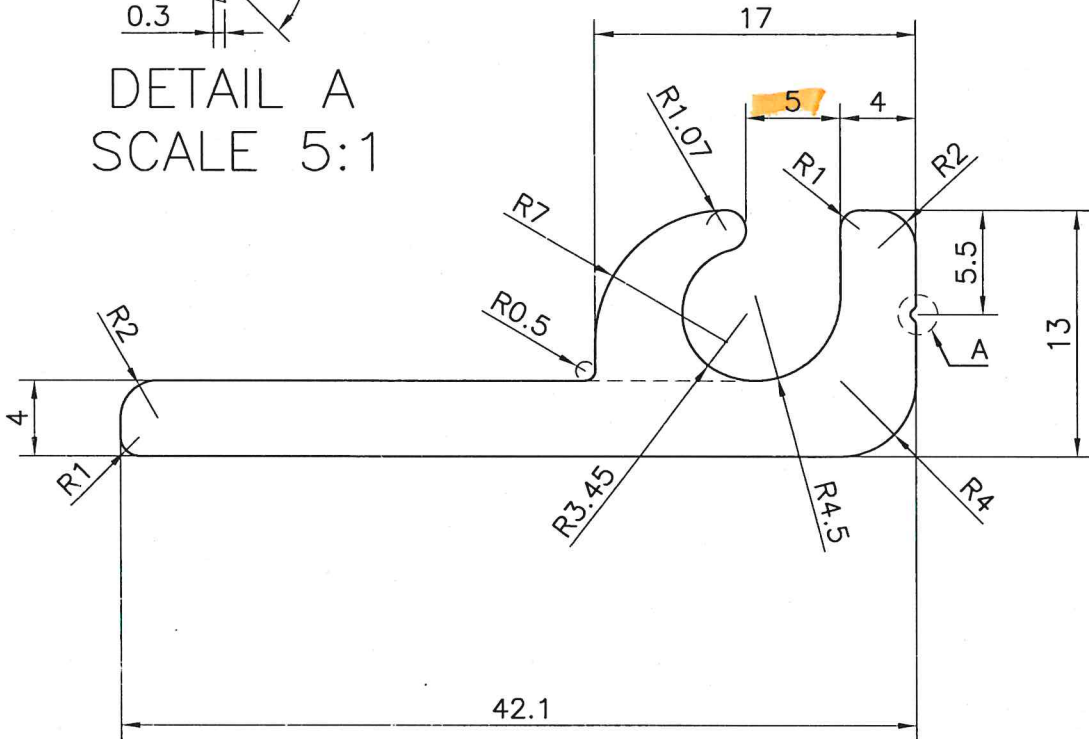
Q00186



SCALE 1:1



DETAIL A
SCALE 5:1



SYMBOL OF QUALITY
AN ISO 9001 COMPANY

JINDAL ALUMINIUM LTD.

BHIWADI-301019 (INDIA)

	NAME	DATE
DRAWN	ASHUTOSH	12-10-2022
CHECKED	<i>Juni</i>	13-10-22
APPROVED	<i>Man</i>	13/10/22
SCALE		1:1&2.5:1
AREA mm ²		245.74
PERIMETER mm.		121.93
WEIGHT kg/m		0.663
DRAWING No.		SECTION No.

1. ALL DIMENSIONS ARE IN mm.
2. ROUND OFF ALL SHARP CORNERS WITH 0.40 mm.
3. TOLERANCES WILL BE AS PER BS:EN-755-9 , UNLESS OTHERWISE SPECIFIED

PARTY'S NAME	M/s. ALTOS ENGINEERS
PARTY'S DRAWING No.	AS PER DRAWING (Q00186)
ALLOY & TEMPER	6005
DESCRIPTION	--