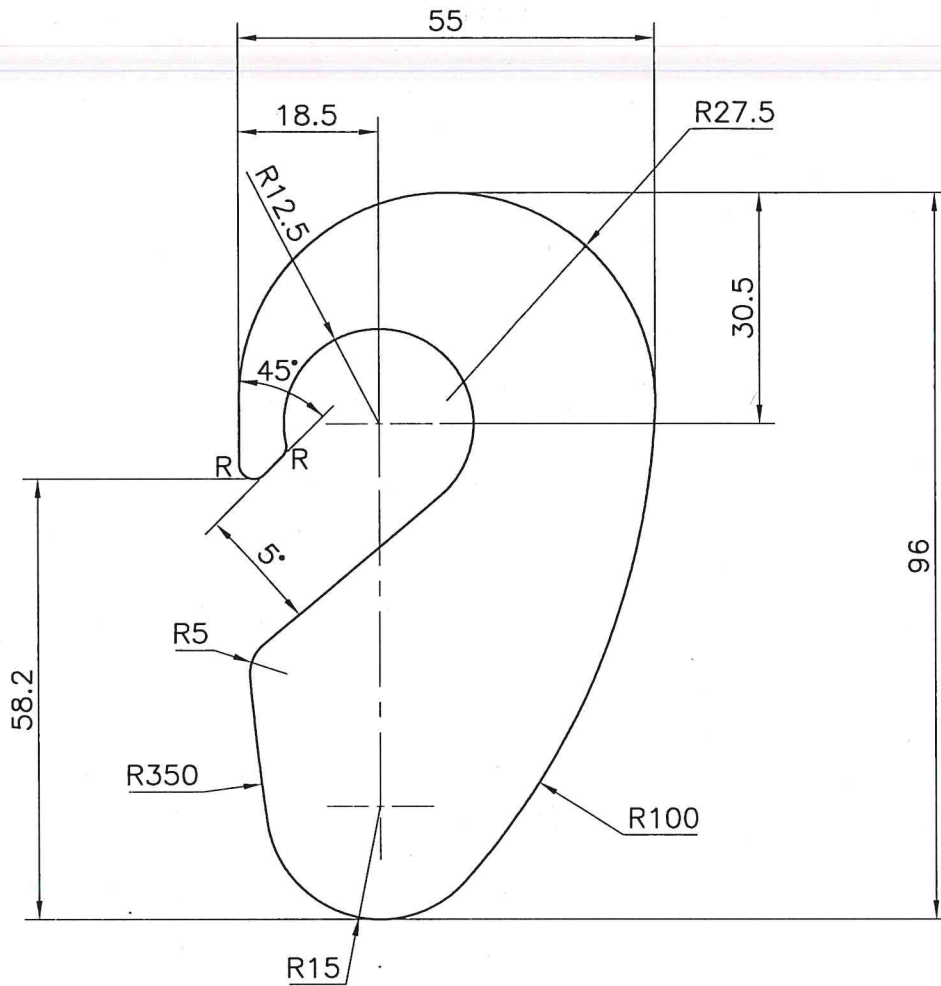



PROPOSED DRAWING

Q00188



NOTE:-
R = 2.00R

NOTE:-
① HARDNESS:- 85-90 HB

 SYMBOL OF QUALITY AN ISO 9001 COMPANY	JINDAL ALUMINIUM LTD. BHIWADI-301019 (INDIA)	NAME	DATE
		DRAWN	ASHUTOSH 13-10-2022
1. ALL DIMENSIONS ARE IN mm. 2. ROUND OFF ALL SHARP CORNERS WITH 0.40 mm. 3. TOLERANCES WILL BE AS PER BS:EN-755-9, UNLESS OTHERWISE SPECIFIED		CHECKED	14-10-22
		APPROVED	14.10.22
PARTY'S NAME M/s. ENSTO INDIA PRIVATE LIMITED		SCALE	1:1
		AREA mm ²	3354.81
PARTY'S DRAWING No. AS PER DRAWING (000206944 C)		PERIMETER mm.	315.88
		WEIGHT kg/m	9.058
ALLOY & TEMPER 6005-T6		DRAWING No.	SECTION No.
		DESCRIPTION	