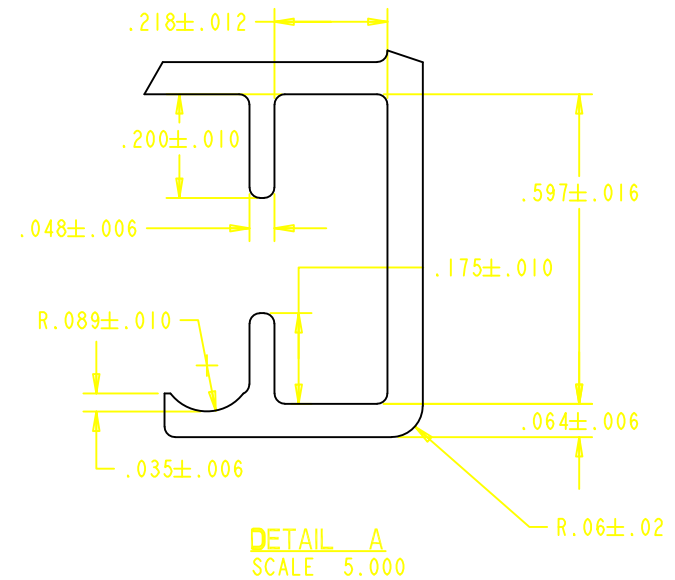
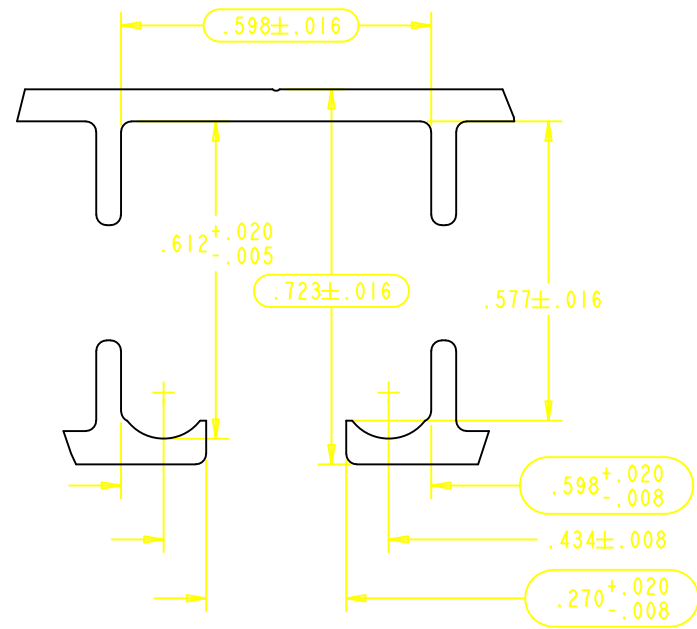
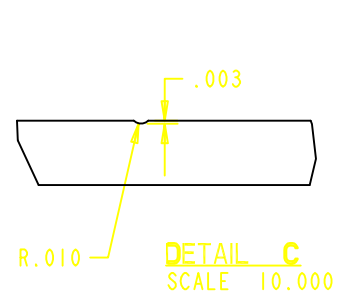


REV	ZONE	DESCRIPTION	DATE	BY	APP
A		PRODUCTION RELEASE	17MAR04	TMS	
B	A2	CHANGED TOLERANCE ON .270 DIM			
A2		CHANGED TOLERANCE ON .598 DIM			
D4		ADDED .175 DIMS			
D4		CHANGED 1.265 TO 1.266 REF	09/20/04	JMN	
C	A3	.612 +.020/- .005 WAS .612 +/- .016	5/16/08	KAM	



DETAIL B
SCALE 5.000



NOTES: UNLESS OTHERWISE SPECIFIED

1. MATERIAL: 6063-T6 ALUMINUM
2. FINISH: REFER TO COLOR TABLE 287-027
3. LENGTH: 240" ± 0.125" (20')
4. PARTS SHALL BE FREE FROM BURRS, SHARP EDGES, DIRT, OIL AND GREASE
5. CHANGES IN DESIGN, MATERIAL, OR PROCESS FROM APPROVED SAMPLE MUST HAVE PRIOR ENGINEERING APPROVAL
6. ALL ROUNDS ARE 0.02" ± 0.01" IN RADIUS
7. CIRCLED DIMENSIONS ARE PROCESS CONTROL DIMENSIONS, TO BE INSPECTED FOR STATISTICAL PROCESS CONTROL
8. STRAIGHTNESS = 0.0125" PER FT. X LENGTH
9. TWIST = 1/4° PER FT. X LENGTH, 3° MAX
10. FLATNESS = 0.004 IN. PER IN. OF WIDTH

PRO/ENGINEER DRAWING - CHANGES SHALL BE INCORPORATED BY LUTRON	ISSUE CODE	LUTRON ELECTRONICS CO., INC. 7200 SUTER ROAD COOPERSBURG, PA 18036 610 282 3800
TOLERANCE UNLESS SPECIFIED - DO NOT SCALE ALL DIMS IN IN - 1/16 IN MIN IN DECIMAL (DPL) ± .005 (2PL) ± .010 FRACTION ± 1/32 ANGULAR ± 1/2 DEG HOLE ± .001/- .001	SF QC	
<small>THIS DRAWING AND THE INFORMATION CONTAINED HEREIN ARE THE PROPERTY OF LUTRON ELECTRONICS CO., INC. AND ARE TO BE USED ONLY FOR THE PROJECT AND QUANTITY SPECIFIED HEREON. ANY REUSE OR REPRODUCTION OF THIS DRAWING OR INFORMATION CONTAINED HEREIN WITHOUT THE WRITTEN PERMISSION OF LUTRON ELECTRONICS CO., INC. IS STRICTLY PROHIBITED.</small>		TITLE: ALUMINUM EXTRUSION DRAPERY TRK
		302002 T. SHIRK SIZE: C 1.000 SHEET 1 OF 1