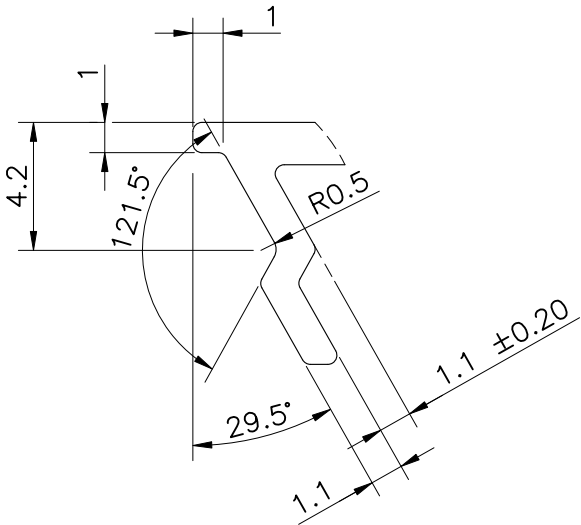
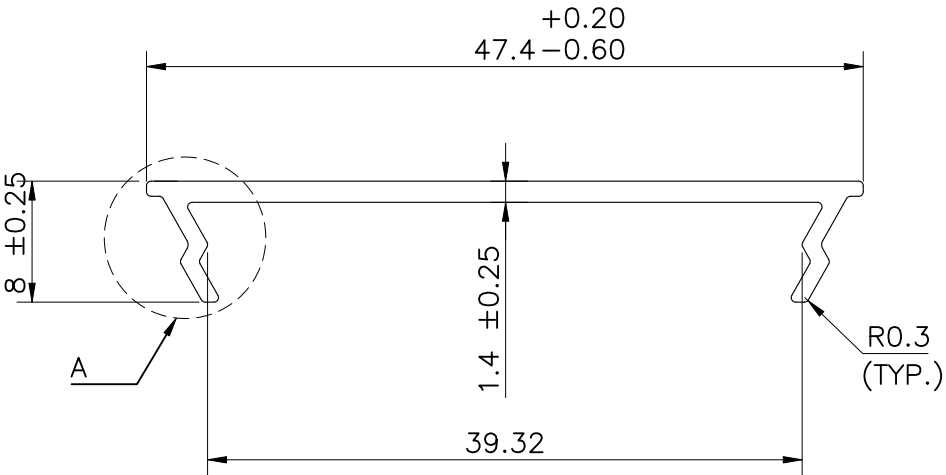



MAL NO. 15613
-
D-6696



SCALE 1:1



DETAIL A
SCALE 4:1

 SYMBOL OF QUALITY AN ISO 9001 COMPANY	JINDAL ALUMINIUM LTD. BHIWADI-301019 (INDIA)	NAME	DATE	
		DRAWN	ASHUTOSH 17-10-2022	
		CHECKED		
1. ALL DIMENSIONS ARE IN mm. 2. ROUND OFF ALL SHARP CORNERS WITH 0.40 mm. 3. TOLERANCES WILL BE AS PER BS:EN-755-9 , UNLESS OTHERWISE SPECIFIED		SCALE	1:1&2:1	
PARTY'S NAME		M/s. GREEN FACADE - GHAZIABAD	AREA mm ²	82.06
PARTY'S DRAWING No.		AS PER DRAWING (MAL 15613)	PERIMETER mm.	125.04
ALLOY & TEMPER		6063-T6	WEIGHT kg/m	0.222
DESCRIPTION		--	DRAWING No.	SECTION No.
			MAL NO. 15613	
			D-6696	