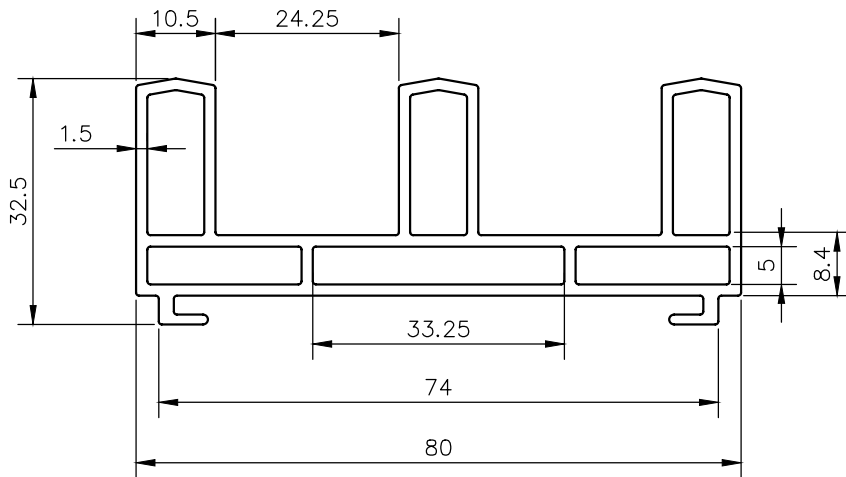




PROPOSED DRAWING

Q00712



AREA:-510.88  
WT:-1.379KG/M