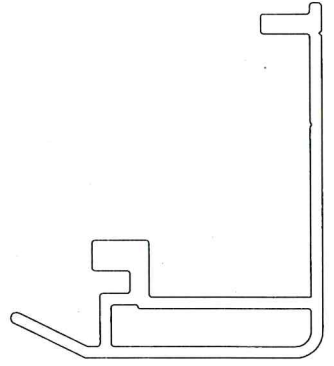
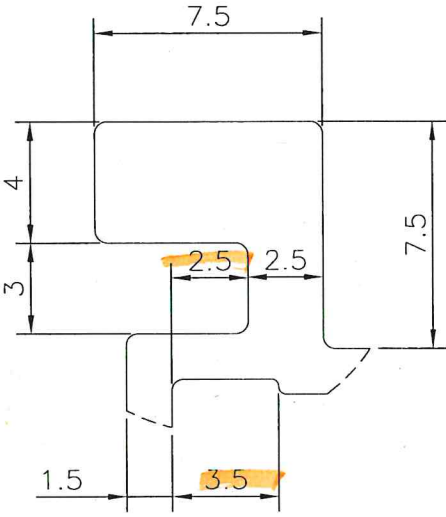


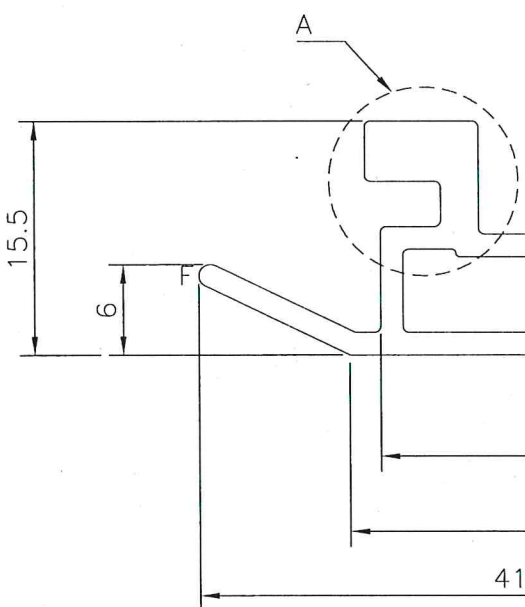
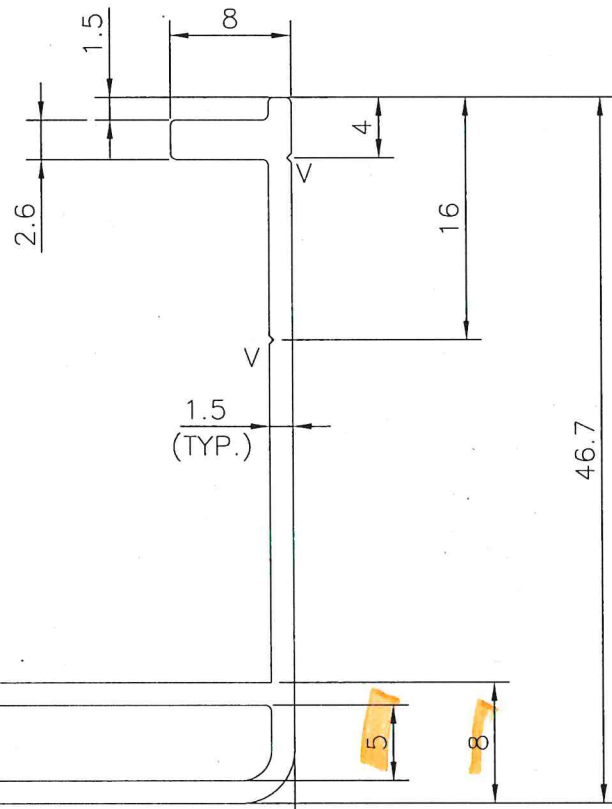
PROPOSED DRAWING



SCALE 1:1



DETAIL A
SCALE 4:1



NOTE:-
V = 0.3x90°
F = FULL RADIUS



SYMBOL OF QUALITY
AN ISO 9001 COMPANY

JINDAL ALUMINIUM LTD.
BHIWADI-301019 (INDIA)

	NAME	DATE
DRAWN	ASHUTOSH	18-10-2022
CHECKED	<i>June</i>	19.10.22
APPROVED	<i>[Signature]</i>	19.10.22
SCALE	1:1&2:1	
AREA mm ²	233.32	
PERIMETER mm.	211.38	
WEIGHT kg/m	0.630	
DRAWING No.	SECTION No.	

1. ALL DIMENSIONS ARE IN mm.
2. ROUND OFF ALL SHARP CORNERS WITH 0.40 mm.
3. TOLERANCES WILL BE AS PER BS:EN-755-9 , UNLESS OTHERWISE SPECIFIED

PARTY'S NAME	M/s. UNIQUE MEDICAL EQUIPMENTS PVT. LTD.
PARTY'S DRAWING No.	AS PER EMAIL (17.10.2022)
ALLOY & TEMPER	6063-T6
DESCRIPTION	--