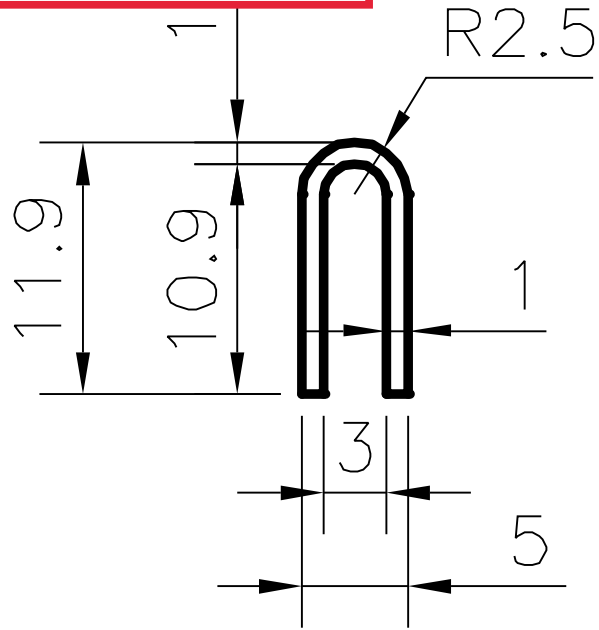


Q00203



31-10-2022

ALLOY	—
SCALE	1:1
AREA mm <sup>2</sup>	25.08
PERIMETER mm.	52.17
WEIGHT kg/m	0.068

***TRACK***