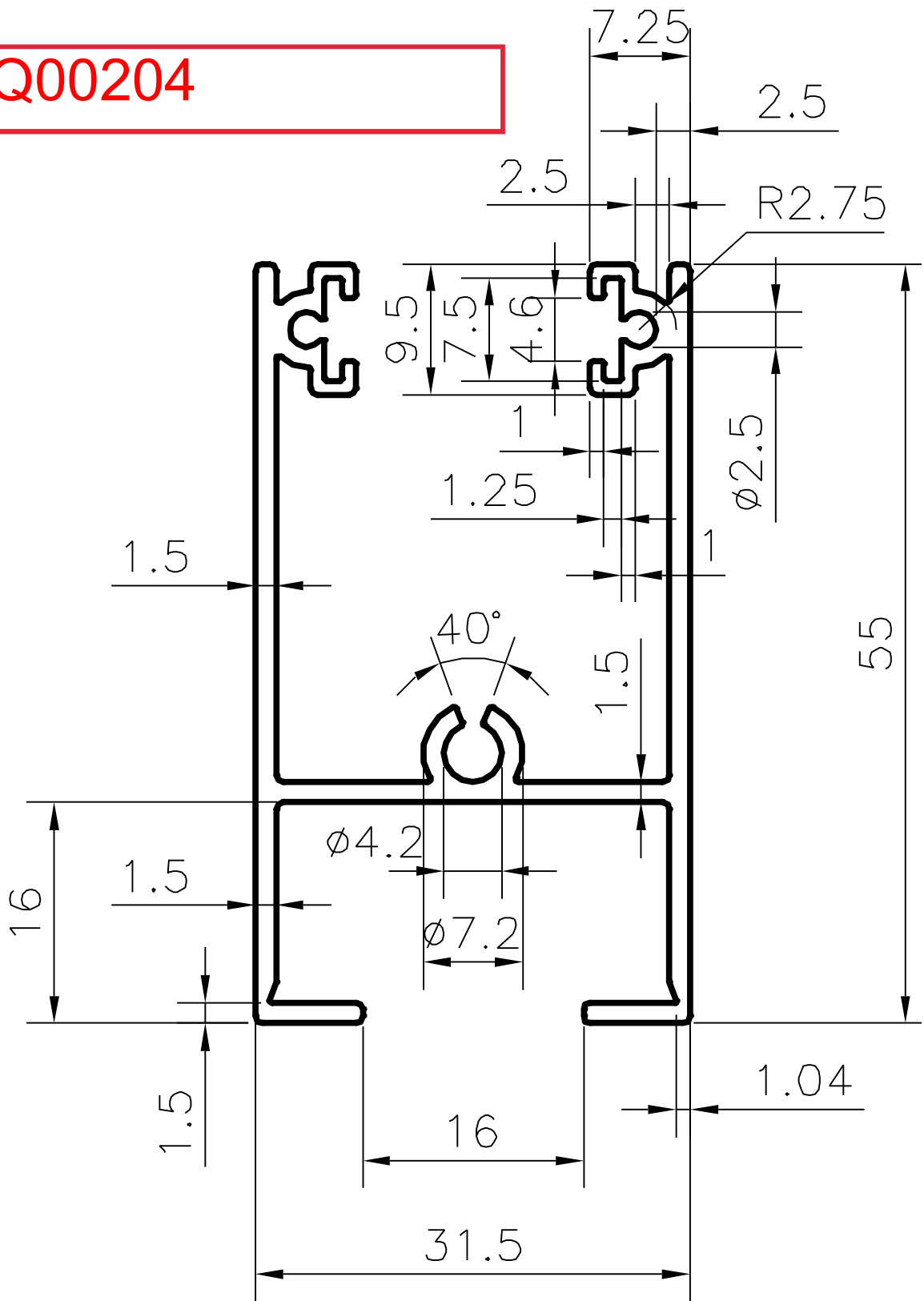


Q00204



31-10-2022

ALLOY	-
SCALE	1:1
AREA mm ²	291.12
PERIMETER mm.	394.69
WEIGHT kg/m	0.786