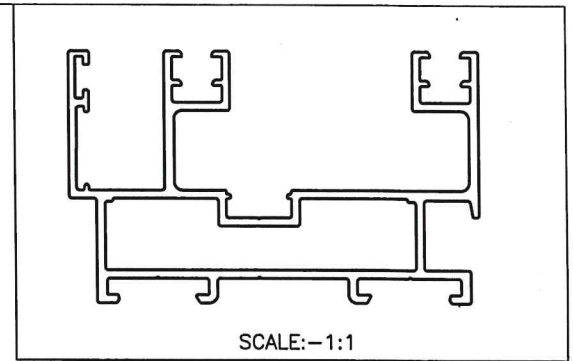
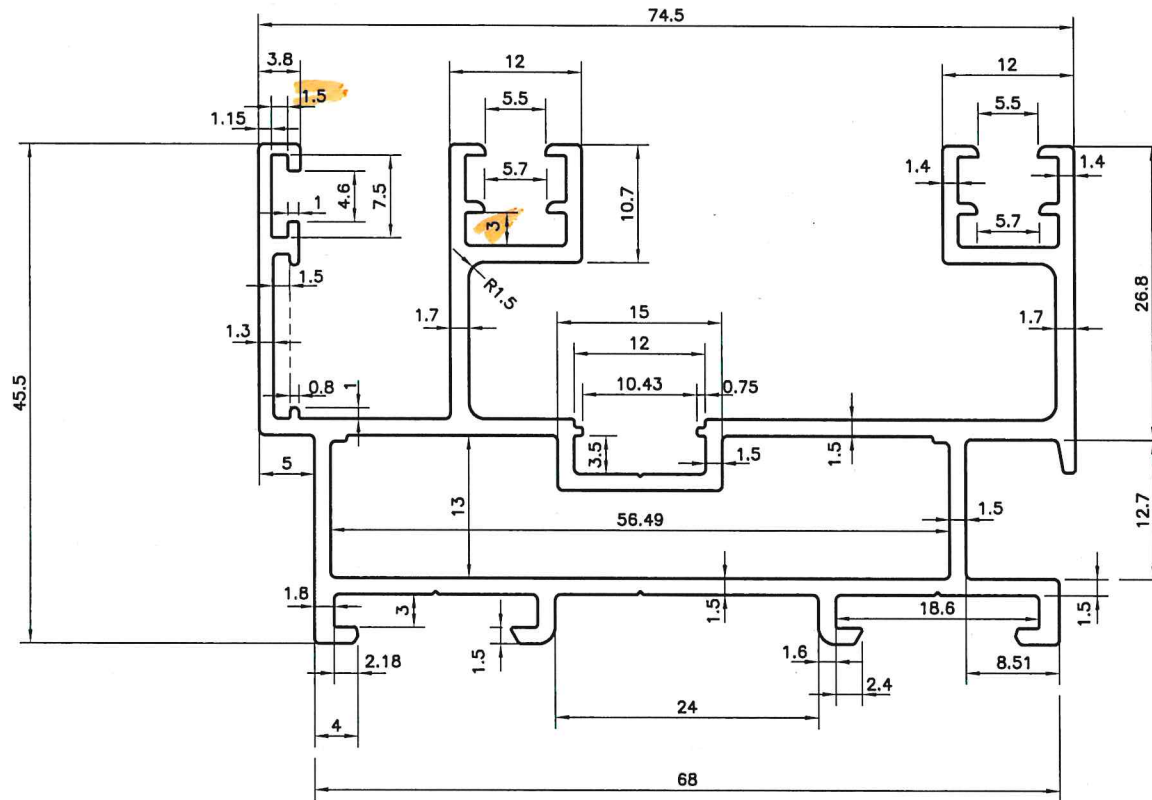



BEFORE APPROVAL CHECK ALL DIMENSIONS PROPERLY

PROPOSED DRAWING

Q00200



 SYMBOL OF QUALITY AN ISO 9001 COMPANY	JINDAL ALUMINIUM LTD. BHIWADI-301019 (INDIA)		NAME	DATE
			DRAWN	ASHUTOSH 05-11-2022
	CHECKED			
	APPROVED			
1. ALL DIMENSIONS ARE IN mm. 2. ROUND OFF ALL SHARP CORNERS WITH 0.40 mm. 3. TOLERANCES WILL BE AS PER BS:EN-755-9 , UNLESS OTHERWISE SPECIFIED			SCALE	1:1&2:1
			AREA mm ²	513.50
			PERIMETER mm.	527.51
			WEIGHT kg/m	1.386
PARTY'S NAME	M/s. AASTHA ALUMINA PRIVATE LIMITED	DRAWING No.	SECTION No.	
PARTY'S DRAWING No.	AS PER DRAWING (SL75-01)			
ALLOY & TEMPER	6063-T6			
DESCRIPTION	-			