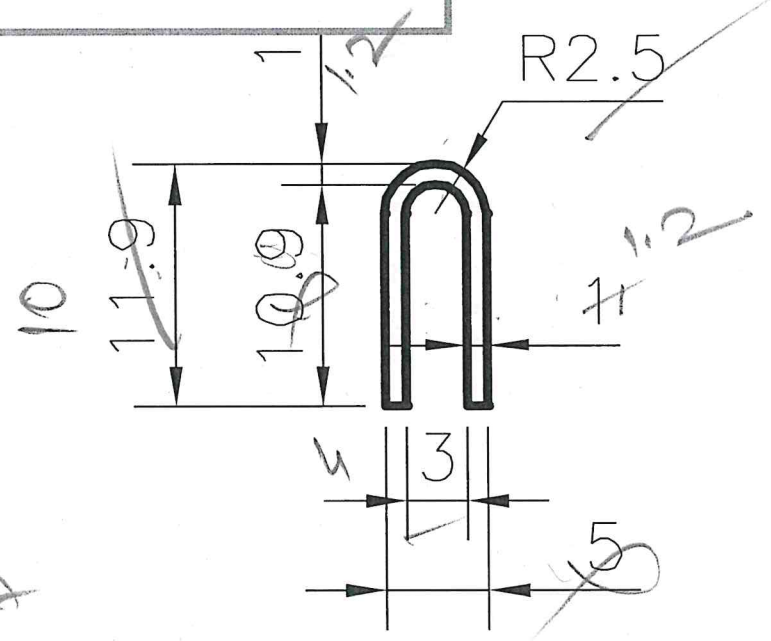


~~NOT Feasible in JAL BHIWADI~~

N/A

Q00203



N/A

31-10-2022

ALLOY	—
SCALE	1:1
AREA mm ²	25.08
PERIMETER mm.	52.17
WEIGHT kg/m	0.068

TRACK