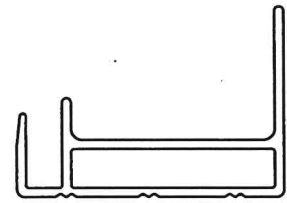
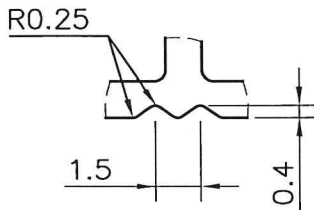


# PROPOSED DRAWING

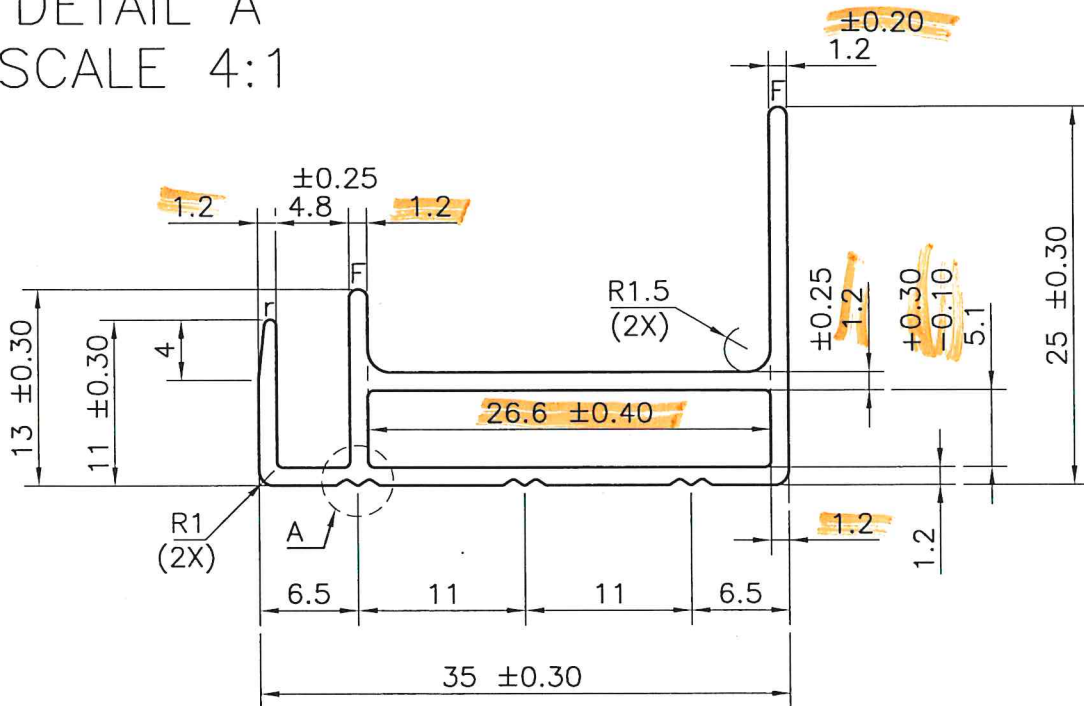
Q00217



SCALE 1:1



DETAIL A  
SCALE 4:1



NOTE:-

F= FULL RADIUS

r= 0.50R



SYMBOL OF QUALITY  
AN ISO 9001 COMPANY

**JINDAL ALUMINIUM LTD.**

BHIWADI-301019 (INDIA)

	NAME	DATE
DRAWN	ASHUTOSH	14-11-2022
CHECKED	<i>Sanjiv</i>	14-11-22
APPROVED	<i>Pranav</i>	14.11.22

1. ALL DIMENSIONS ARE IN mm.
2. ROUND OFF ALL SHARP CORNERS WITH 0.40 mm.
3. TOLERANCES WILL BE AS PER BS:EN-755-9 , UNLESS OTHERWISE SPECIFIED

SCALE	1:1&2:1
AREA mm <sup>2</sup>	126.09
PERIMETER mm.	147.71
WEIGHT kg/m	0.340

PARTY'S NAME	M/s. GAUTAM SOLAR	DRAWING No.	SECTION No.
PARTY'S DRAWING No.	AS PER QUOTATION NO. (Q00217)		
ALLOY & TEMPER	6063-T6		
DESCRIPTION	--		