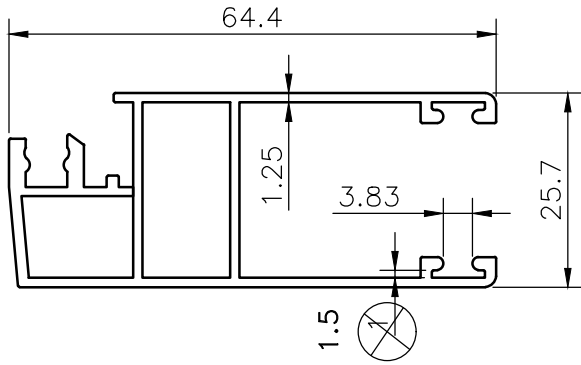


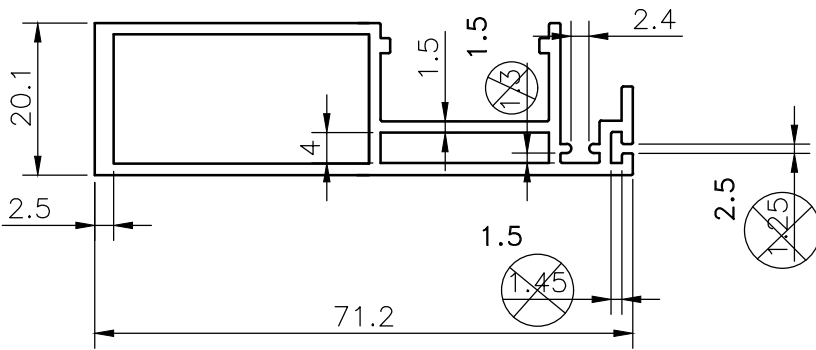
# PROPOSED DRAWING

Q01832 ALLOY 6063 T6



# PROPOSED DRAWING

Q01833 ALLOY 6063 T6



# PROPOSED DRAWING

Q01834 ALLOY 6063 T6

