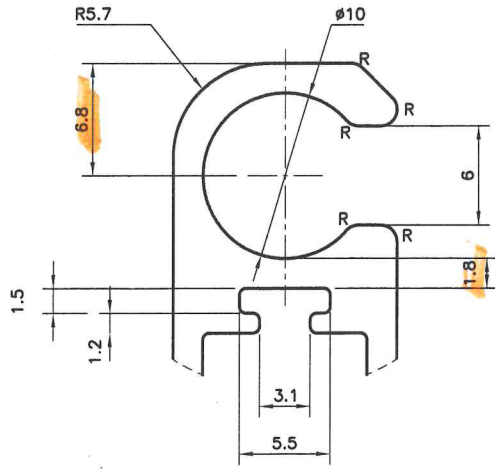


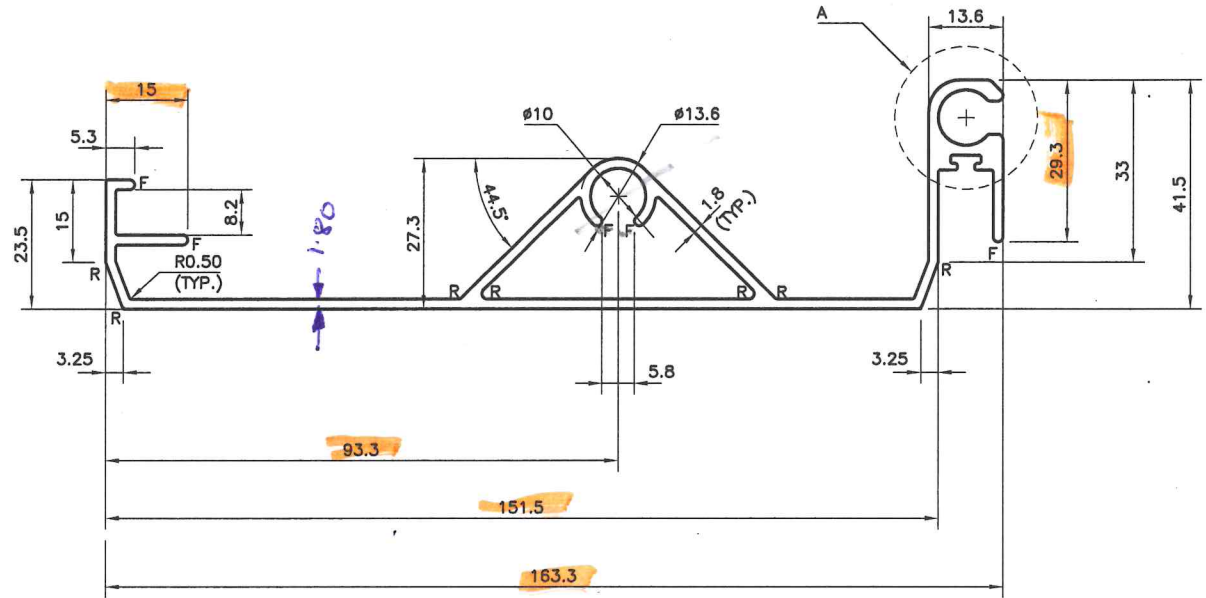
BEFORE APPROVAL CHECK ALL DIM. PROPERLY

PROPOSED DRAWING

Q00222




DETAIL A
SCALE 3:1



NOTE:-

F= FULL RADIUS

R= 1.00R

 SYMBOL OF QUALITY AN ISO 9001 COMPANY	JINDAL ALUMINIUM LTD. BHIWADI-301019 (INDIA)		NAME	DATE
			DRAWN	ASHUTOSH
1. ALL DIMENSIONS ARE IN mm. 2. ROUND OFF ALL SHARP CORNERS WITH 0.40 mm. 3. TOLERANCES WILL BE AS PER BS:EN-755-9 , UNLESS OTHERWISE SPECIFIED	PARTY'S NAME		APPROVED	17-11-22
	PARTY'S DRAWING No.		SCALE	1:1&3:1
	ALLOY & TEMPER		AREA mm ²	669.52
	DESCRIPTION		PERIMETER mm.	547.40
			WEIGHT kg/m	1.808
			DRAWING No.	SECTION No.