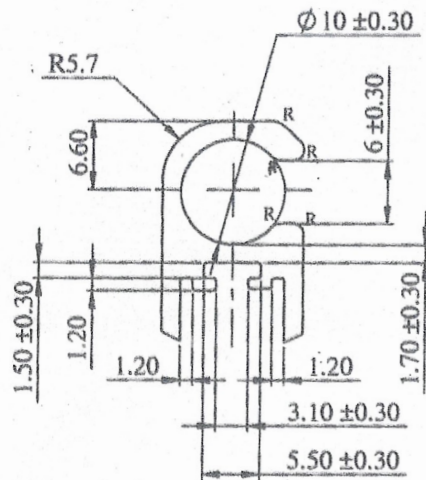
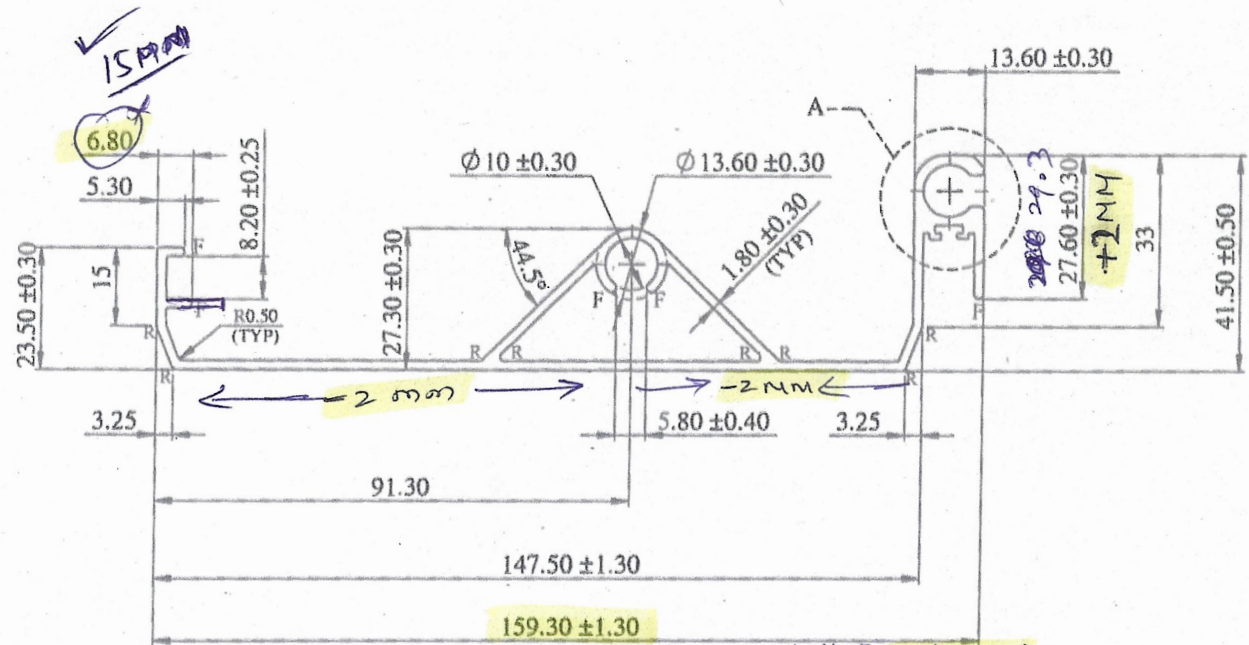


BEFORE APPROVAL CHECK ALL DIM. PROPELY

Q00222



DETAIL A
SCALE 2 : 1



Required die

PLEASE SPECIFY THE EXPOSED SURFACE

LOCATION:-
ALL DIMENSION ARE IN mm.
UNSPECIFIED CORNER RADIUS:0.40

TOL. AS PER IS - 6472-1983
UNLESS SPECIFIED

TWIST = 1.70 MM/M
FLATNESS = ±1.10 MM.
STRAIGHTNESS = 1.70 MM/M
ANGULARITY = ±2°

NOTE :-

F = FULL RADIUS

R = 1.0R

INDO ALUSYS INDUSTRIES LIMITED BHIWADI RAJASTHAN - 301

PARTY SAMPLE & DRG.		SAMPLE	PARTY NAME	M/s DECNT ROOF SOLUTIONS	REF:- AS PER IOM DL-16 03.15			
				DRAWN	SONU	18 03 19	AREA	638.34
				CHECKED			WEIGHT	1.723
				APPROVED			WT RANGE	-----
001	(REF.)			SCALE	1:1 & 2:1	DATE	ALLOY	6063-T
				CRITICAL DIM.	*		MAL NO	17646
REV STATUS	REV NO	DESCRIPTION	SIGN DATE	PERIMETER	INT	143.0	SEC.NO.	
A3		REVISION			EXT	524.10		