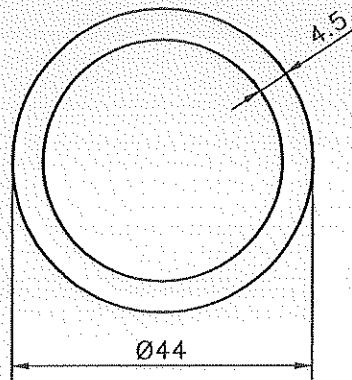
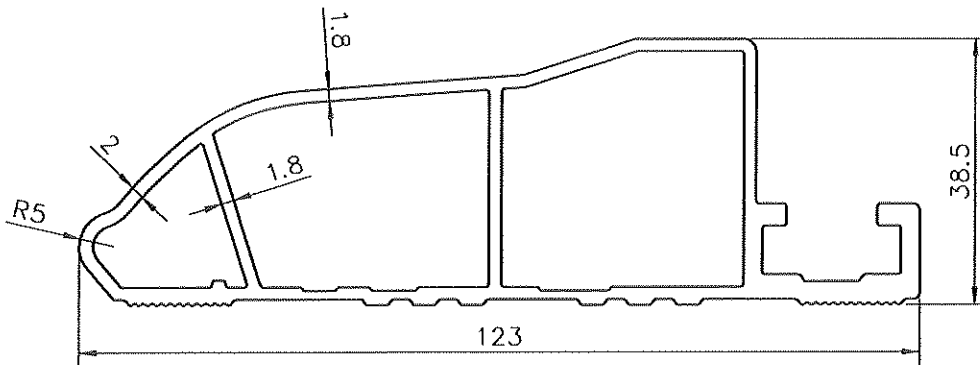


Q01839



ALLOY :- 6063 T4

Area: 558.418 Sq.mm. | Perimeter: 138.23 mm. | Weight: 1.508 Kg./mtr.



ALLOY :- 6063 T6

Area: 702.302 Sq.mm. | Perimeter: 339.352 mm. | Weight: 1.896 Kg./mtr.

Q01840