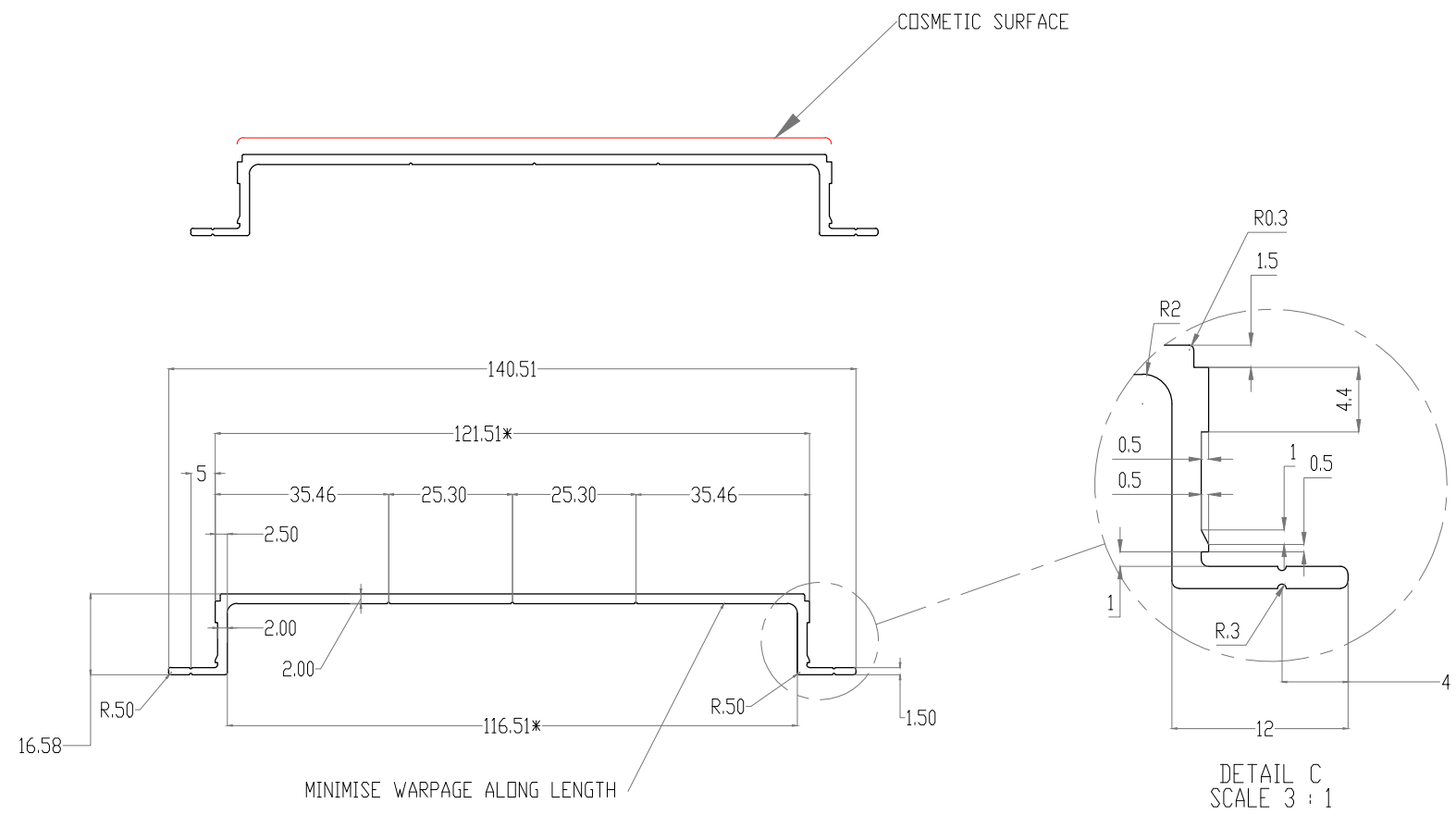


Notice: This drawing is proprietary and confidential. No portion of this Drawing shall be reproduced or copied without permission of Eubiq Healthcare & Lighting Co.



Note:  
 1) \* - critical dimension  
 2) Avoid Die Marks / Line on Cosmetic Faces  
 3) Maintain finishing consistency throughout the Cosmetic Faces.

| Dimension      | Tolerance |
|----------------|-----------|
| 3mm            | ±0.15     |
| 3mm to 6mm     | ±0.18     |
| 6mm to 12mm    | ±0.20     |
| 12mm to 19mm   | ±0.23     |
| 19mm to 25mm   | ±0.25     |
| 25mm to 38mm   | ±0.30     |
| 38mm to 50mm   | ±0.36     |
| 50mm to 100mm  | ±0.61     |
| 100mm to 150mm | ±0.86     |
| 150mm to 200mm | ±1.12     |
| 200mm to 250mm | ±1.37     |

|  |            |             |             |   |                            |        |    |
|--|------------|-------------|-------------|---|----------------------------|--------|----|
| <b>Eubiq Healthcare &amp; Lighting Co.</b> |            |             |             | Plot no 9, Noble Enclave, Old Delhi Road,<br>Gurugram - 122017, Haryana<br>Email ID - eubiqhealthcare@gmail.com |                            |        |    |
| Drawn by                                   | Jayant P.  | Material    | Alu 6063 T5 | DWG. No.  | EHLC-HP-002-00             | Rev. - | 00 |
| Check by                                   | H.Anchan   | Finish      |             | Description   | Hospital Profile Top Cover |        |    |
| Date                                       | 21.11.2022 | Article No. | --          |   |                            |        |    |