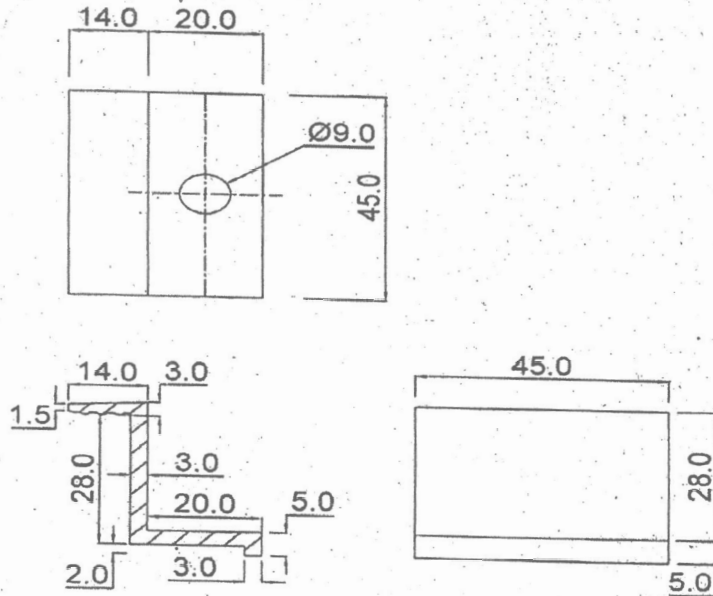


Q00230



SHREE INDUSTRIAL CORPORATION
F-52, Industrial Area Parbat Pura, Ajmer- 305002
Ph. No. – 0145-2695147 Email:- shreeindustrialajmer@gmail.com

Not to scale	MATL - <i>Aluminium</i>	DRAWN BY :M. S. R.
ALL DIMENSIONS ARE IN MM	GEN. TOLE. ± 0.2 MM	CHECKED BY :
BREAK ALL SHARP EDGES	FINISH	APPROVED BY :S. M.
DESCRIPTION	<i>END CLAMP</i>	DRAWING NO. :