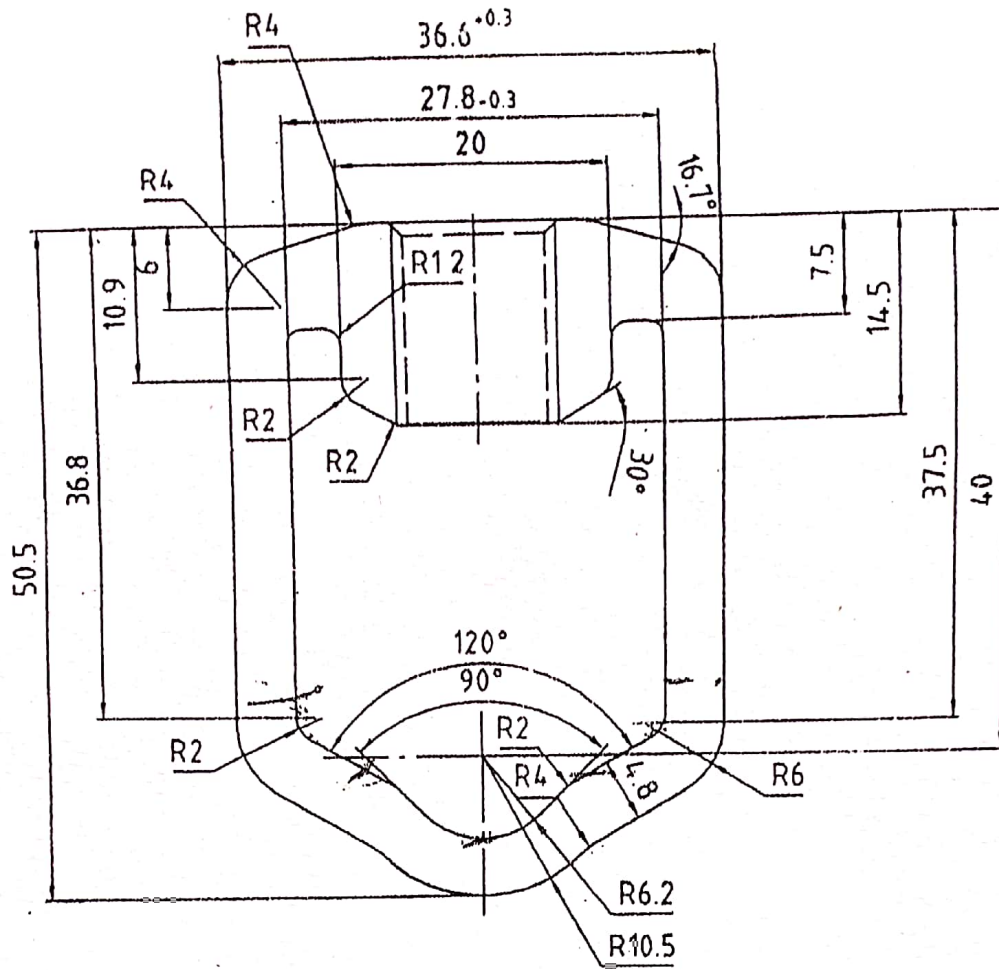


Aluminium Frame

Aluminium Alloy: EN AW-AlSi1MgMn 100HB (Hardness Brinell)



Drawing No. P11203 R+V

Dimension without given tolerance have to be in the spectrum

- 0,5 - 6mm ±0,1
- 6,1 - 30mm ±0,2
- 30,2 - 120mm ±0,3

